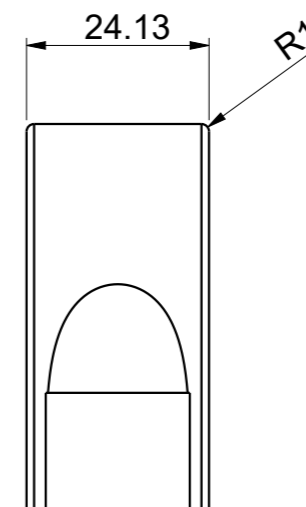
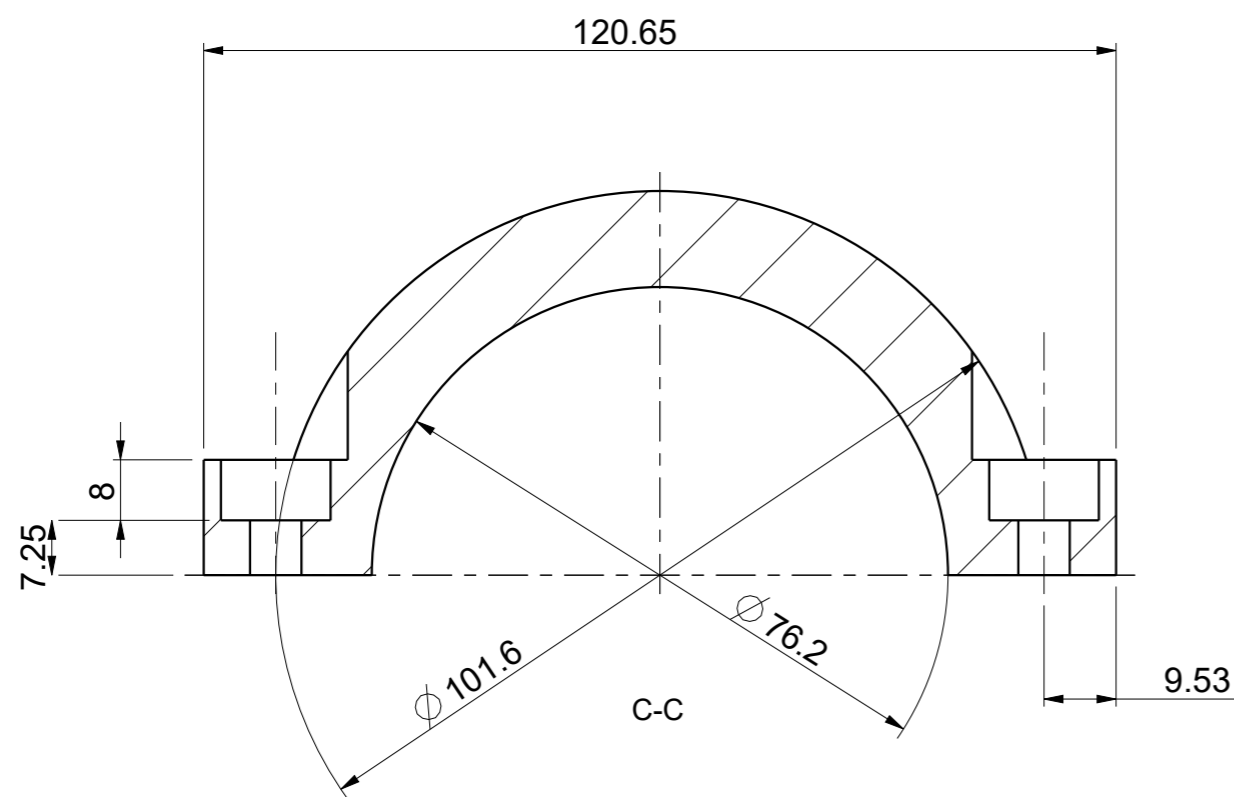


No part of this document may be reproduced or distributed in any form or by any means, or stored in a data base, without the written permission of owner.

Revision:	Rev. Description:	Rev. Date:	Rev. By:

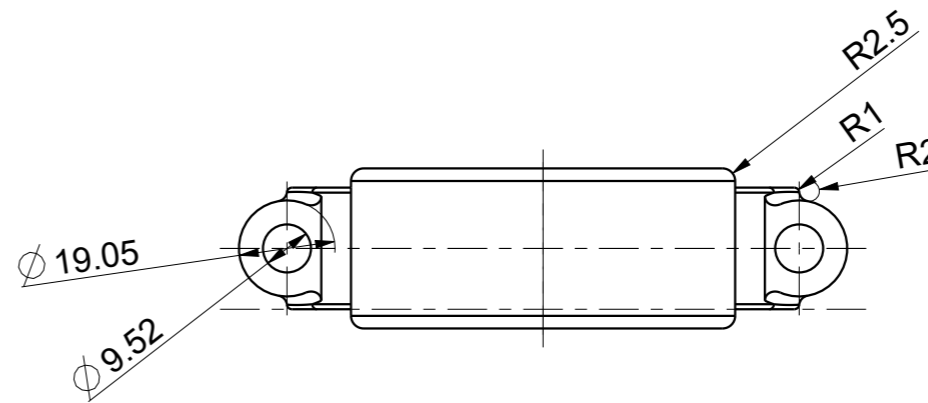
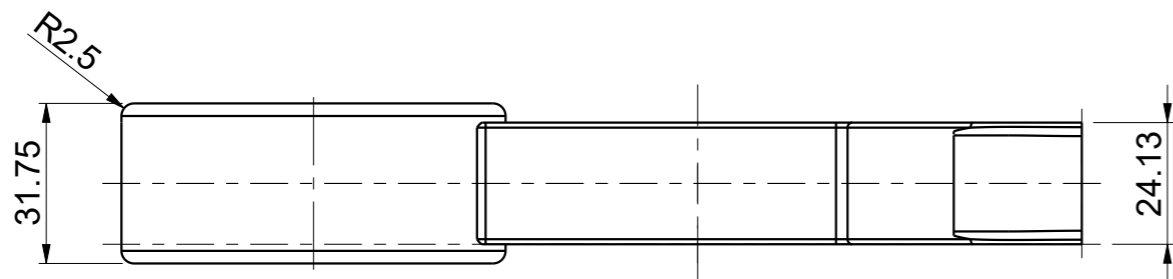
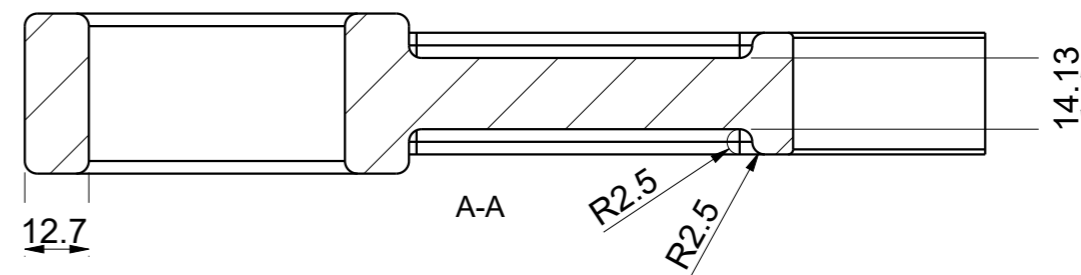
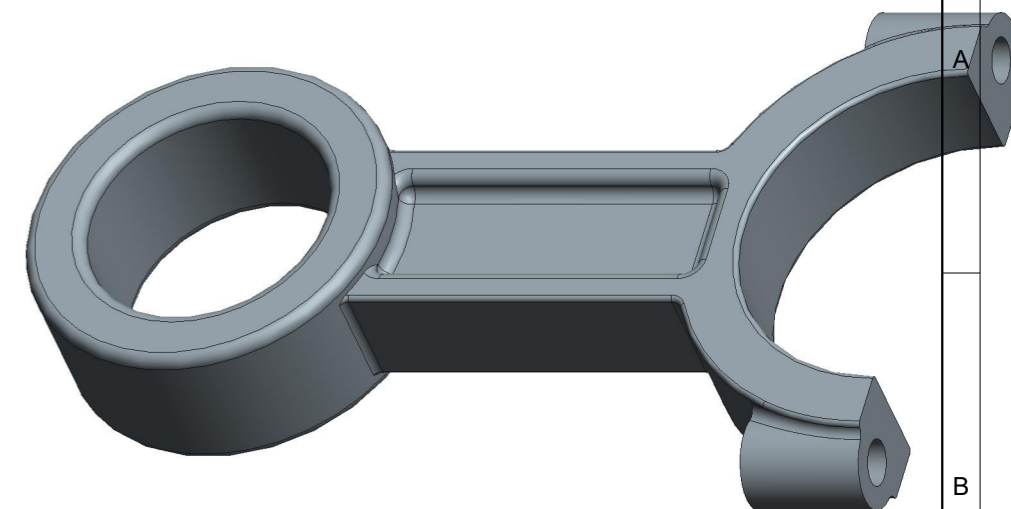
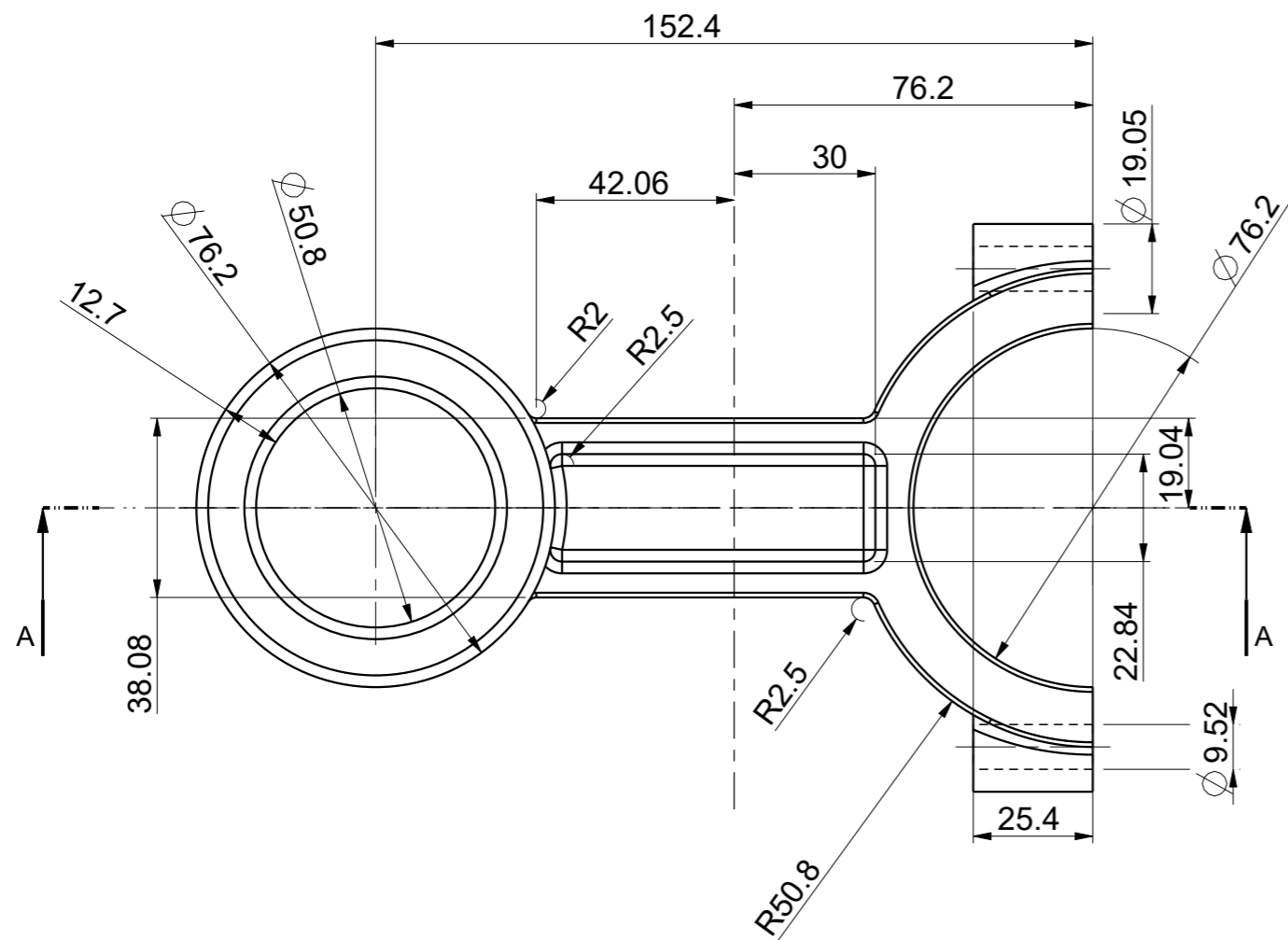
Part:	Identification:	Description:	Additional Description:	Mass:	Pcs:
HAMK	University of Applied Sciences	A3	Identificat: Description: Additional Description:	Mass: 7.688kg	
General tolerances:	Scale: 2:5	Designer: Roman Miah	D Date: 16.06.23	Treatment: surface finish:	1/1
		Approved:	App Date:	Sheet:	
		Product:	Replays:		



No part of this document may be reproduced or distributed in any form or by any means, or stored in a data base, without the written permission of owner.

Revision:	Rev. Description:	Rev. Date:	Rev. By:

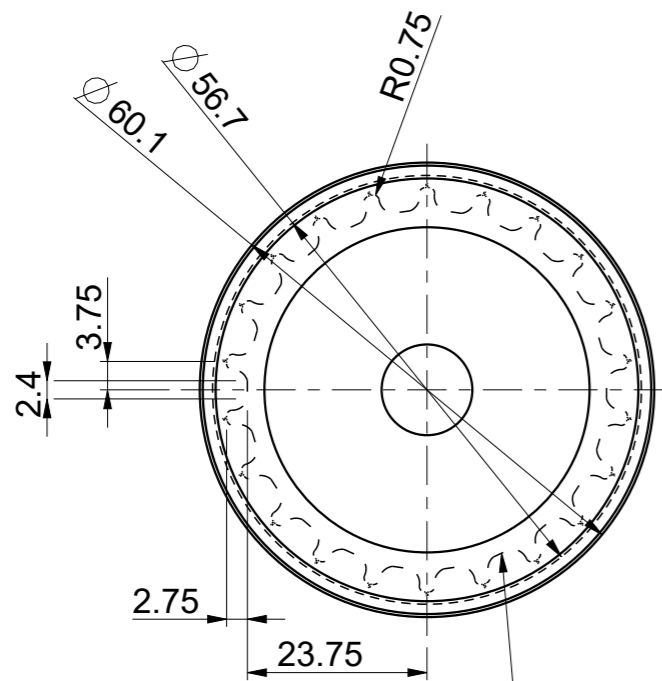
Part:	Identification:	Description:	Additional Description:	Mass:	Pcs:
HAMK	University of Applied Sciences	A3	Identificat: Description: Additional Description:	Mass: 0.336kg	
General tolerances:	Scale: 1:1	Designer: Roman Miah	D Date: 16.06.23	Treatment: surface finish:	1/1
		Approved:	App Date:	Sheet:	
		Product:	Replays:		



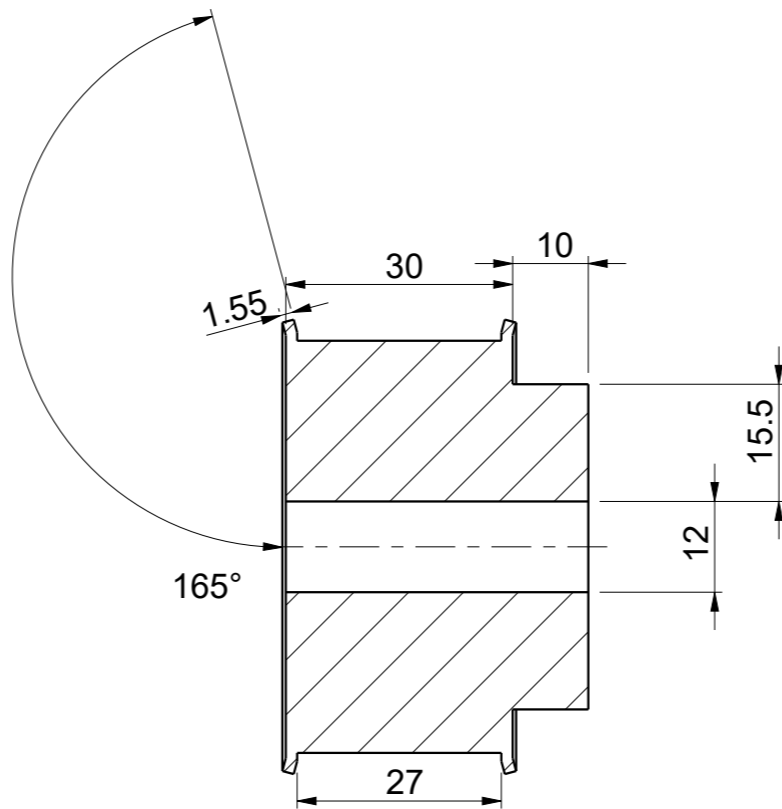
No part of this document may be reproduced or distributed in any form or by any means, or stored in a data base, without the written permission of owner.

Revision:	Rev. Description:	Rev. Date:	Rev. By:

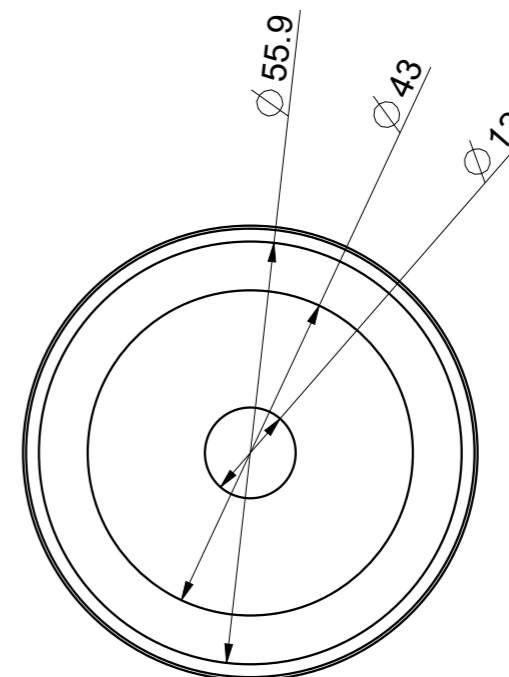
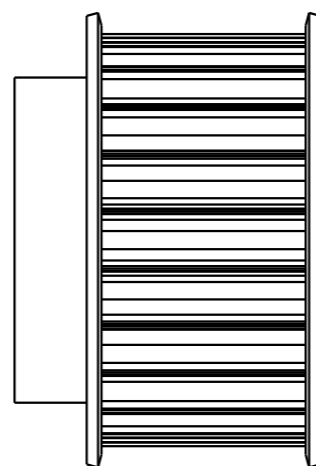
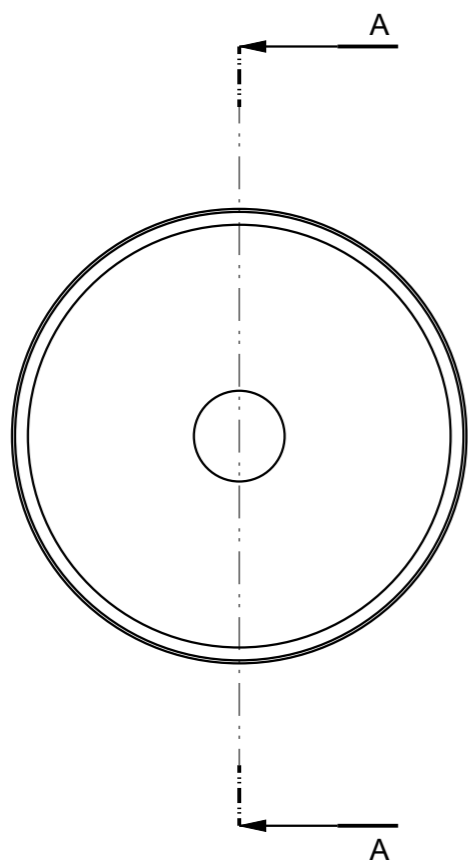
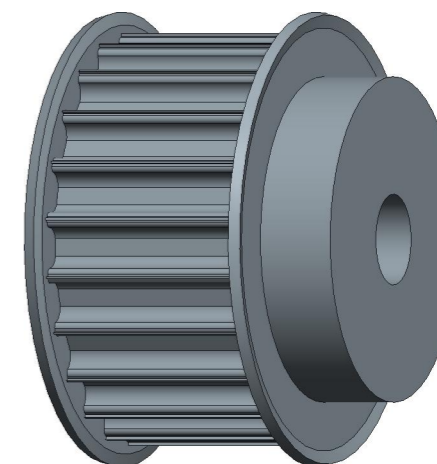
Part:	Identification:	Description:	Additional Description:	Mass:	Pcs:
HAMK	University of Applied Sciences	A3	Identificat: Description: Additional Description:	Mass: 1.356kg	
General tolerances:	Scale: 2:3	Designer: Roman Miah	D Date: 16.06.2023	Treatment: surface finish:	1/1
		Approved:	App Date:	Sheet:	
		Product:	Replays:		



Radial pattern 22 members



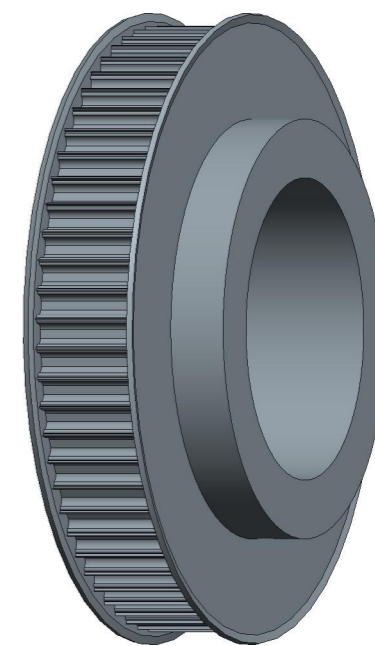
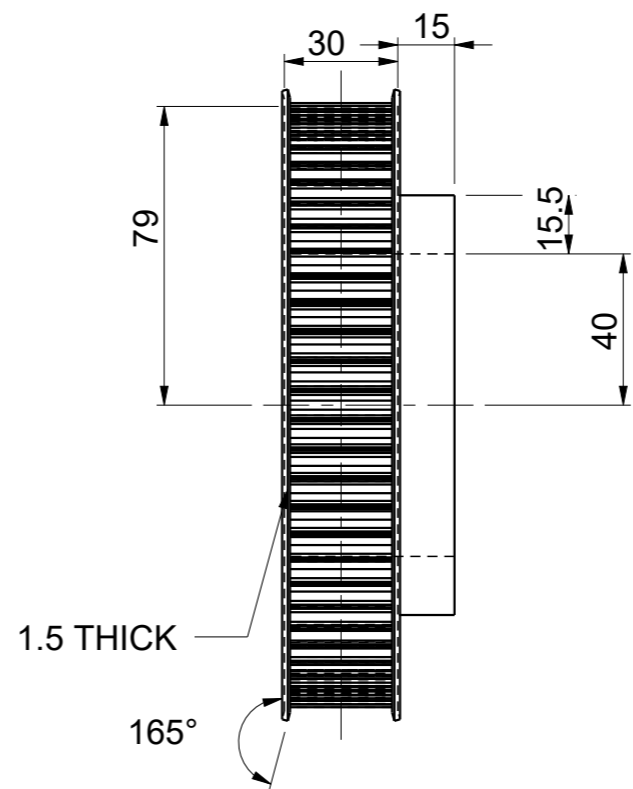
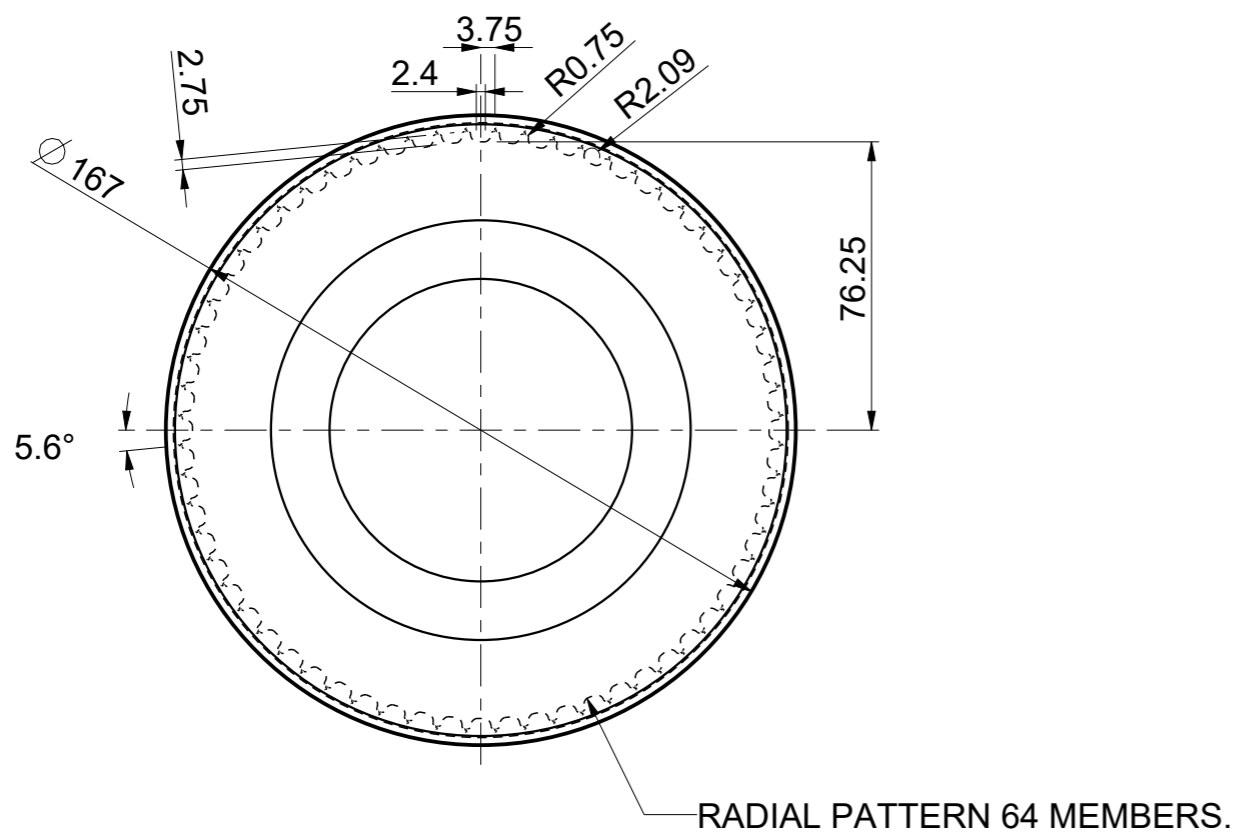
A-A



No part of this document may be reproduced or distributed in any form or by any means, or stored in a data base, without the written permission of owner.

Revision:	Rev. Description:	Rev. Date:	Rev. By:

Part:	Identification:	Description:	Additional Description:	Mass:	Pcs:
HAMK	University of Applied Sciences	A3	Identificat: Description: Additional Description:	Mass: 0.552kg	
General tolerances:	Scale: 1:1	Designer: Roman Miah Approved: Product:	D Date: 16.06.23 App Date: Replays:	Treatment: surface finish: Sheet: 1/1	



No part of this document may be reproduced or distributed in any form or by any means, or stored in a data base, without the written permission of owner.

Revision:	Rev. Description:	Rev. Date:	Rev. By:

Part:	Identification:	Description:	Additional Description:	Mass:	Pcs:
HAMK	University of Applied Sciences	A3	Identificat: Description: Additional Description:	Mass: 3.848kg	
General tolerances:	Scale: 1:2	Designer: Approved: Product:	D Date: App Date: Replays:	Treatment: surface finish:	1/1

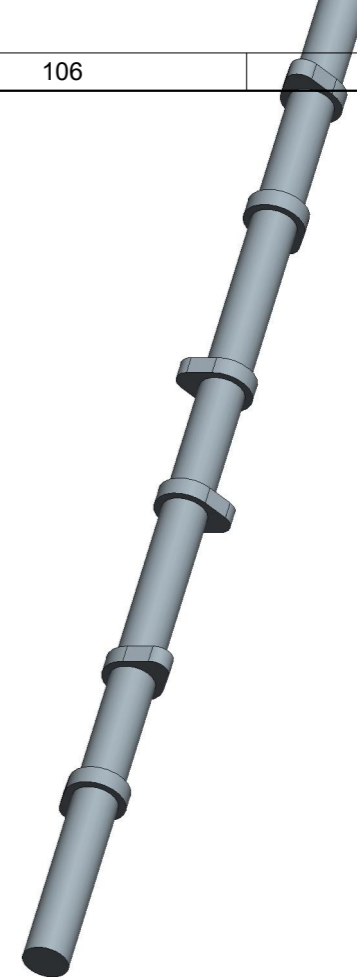
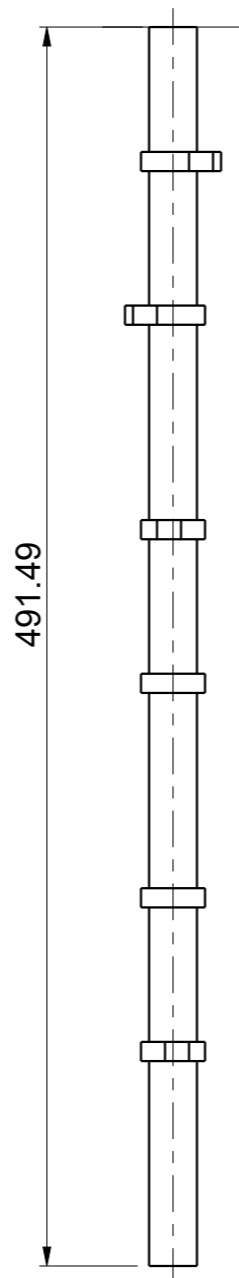
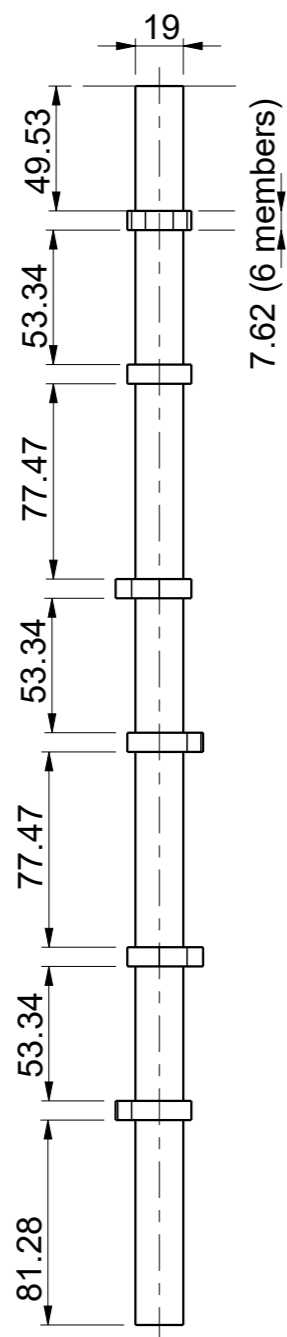
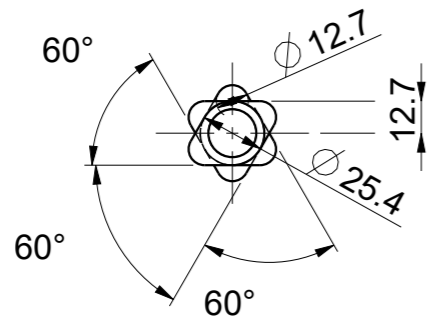
A

B

C

D

E



A

B

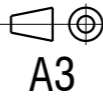
C

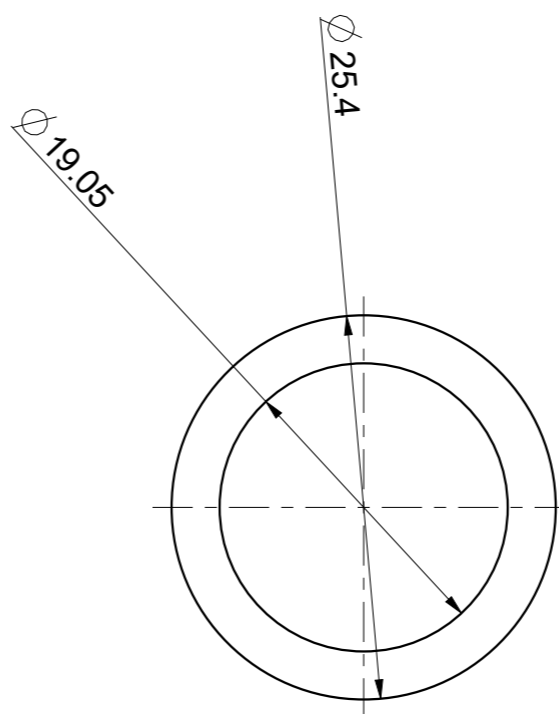
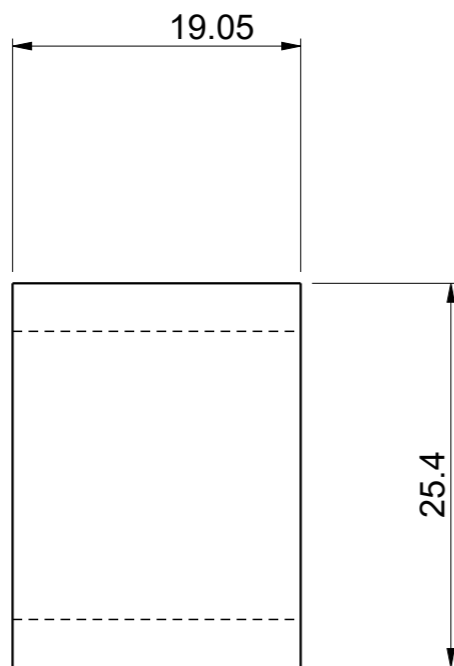
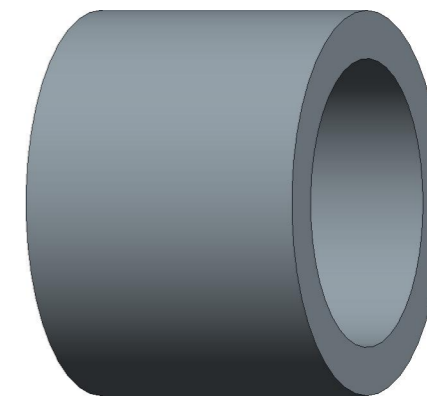
D

E

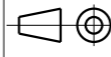
No part of this document may be reproduced or distributed in any form or by any means, or stored in a data base, without the written permission of owner.

Revision:	Rev. Description:	Rev. Date:	Rev. By:

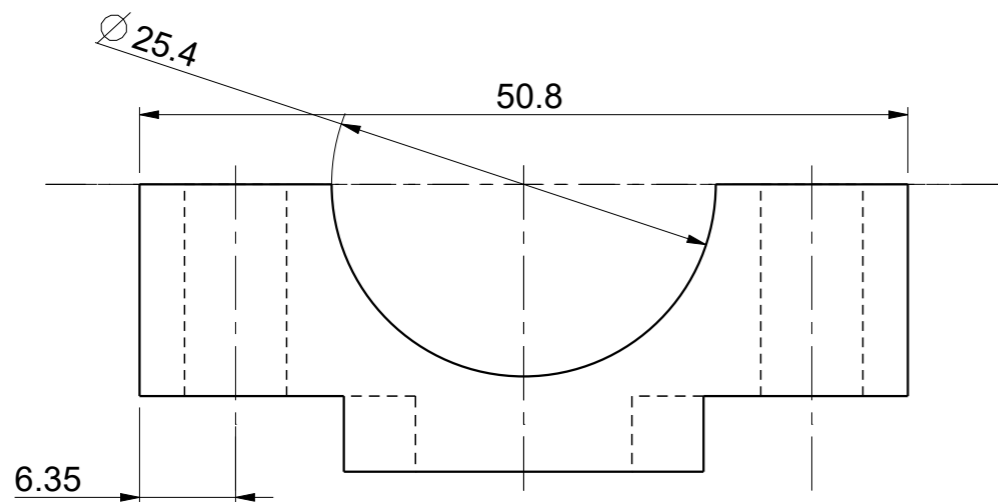
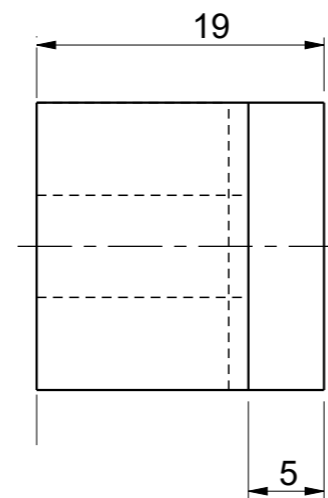
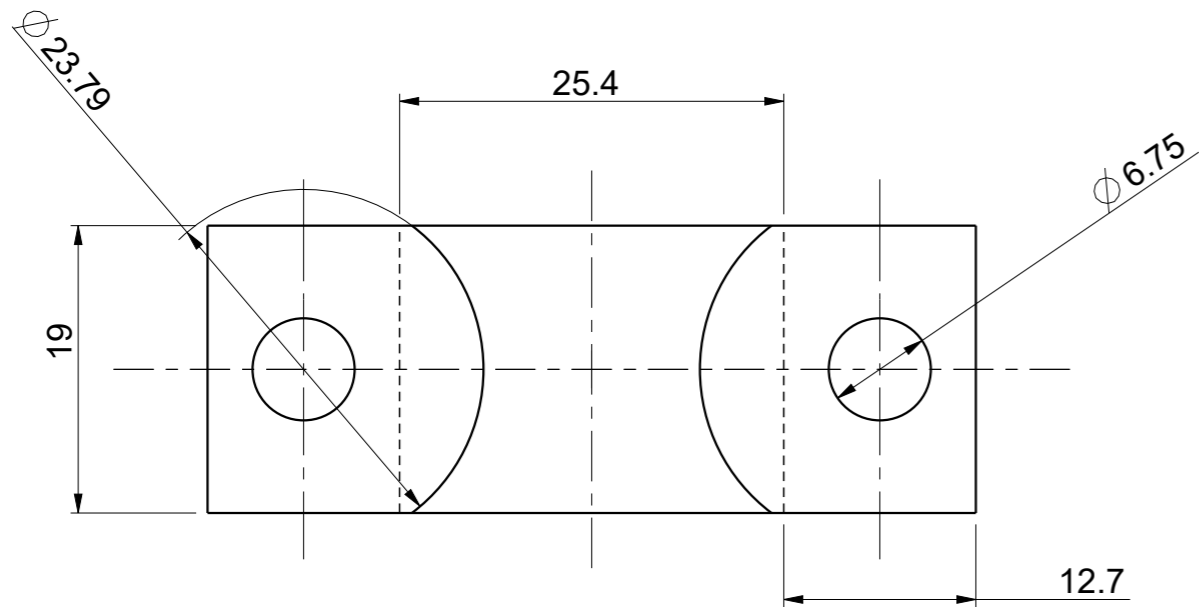
Part:	Identification:	Description:	Additional Description:	Mass:	Pcs:
HAMK	University of Applied Sciences	 A3	Identificat: Description: Additional Description:	Mass: 1.200kg Material: Color:	
General tolerances:	Scale: 1:3	Designer: Roman Miah Approved: Product:	D Date: 16.06.23 App Date: Replays:	Treatment: surface finish: Sheet: 1/1	



Revision:	Rev. Description:	Rev. Date:	Rev. By:

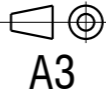
Part:	Identification:	Description:	Additional Description:	Mass:	Pcs:
HAMK	University of Applied Sciences	 A3	Identificat: Description: Additional Description:	Mass: 0.033kg Material: Color:	
General tolerances:	Scale: 2:1	Designer: Roman Miah Approved: Product:	D Date: 16.06.23 App Date: Replays:	Treatment: surface finish: Sheet:	1/1

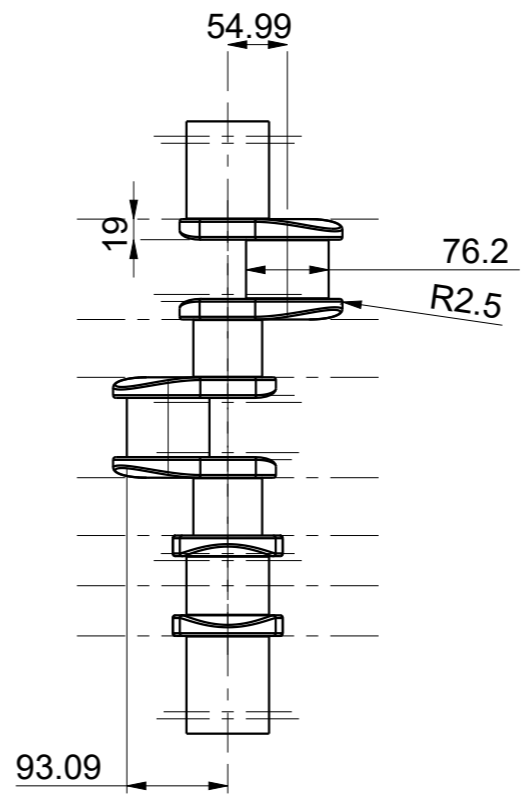
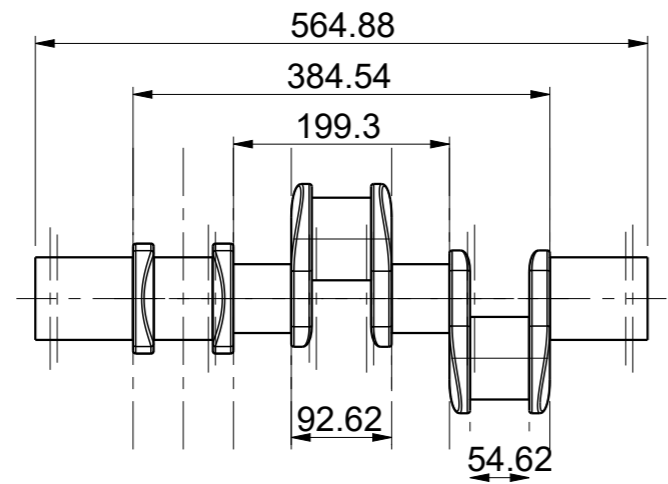
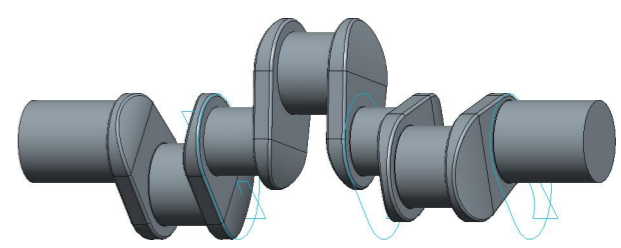
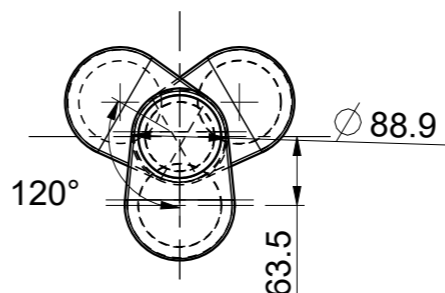
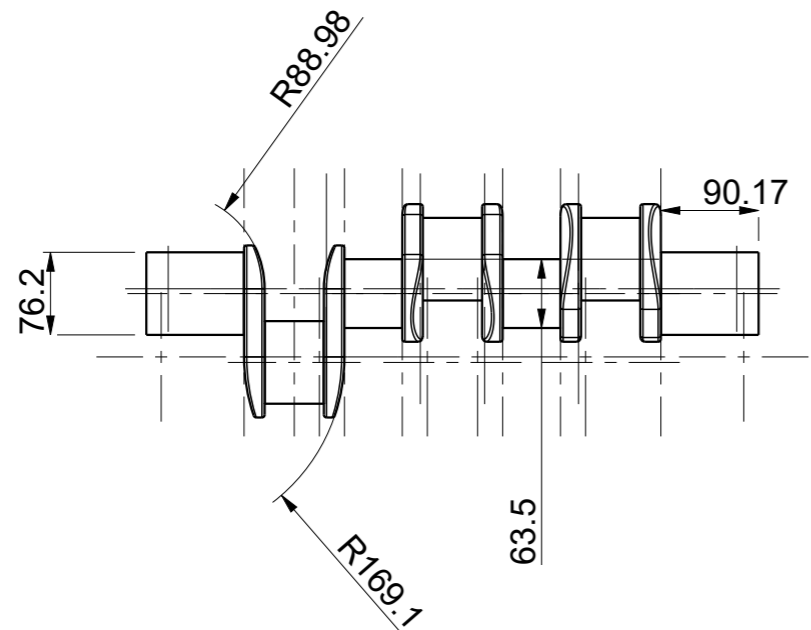
No part of this document may be reproduced or distributed in any form or by any means, or stored in a data base, without the written permission of owner.



No part of this document may be reproduced or distributed in any form or by any means, or stored in a data base, without the written permission of owner.

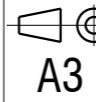
Revision:	Rev. Description:	Rev. Date:	Rev. By:

Part:	Identification:	Description:	Additional Description:	Mass:	Pcs:
HAMK	University of Applied Sciences	 A3	Identificat: Description: Additional Description:	Mass: 0.073kg Material: Color:	
General tolerances:	Scale: 2:1	Designer: Roman Miah Approved: Product:	D Date: 16.06.23 App Date: Replays:	Treatment: surface finish: Sheet:	1/1



No part of this document may be reproduced or distributed in any form or by any means, or stored in a data base, without the written permission of owner.

Revision:	Rev. Description:	Rev. Date:	Rev. By:

Part:	Identification:	Description:	Additional Description:	Mass:	Pcs:
HAMK	University of Applied Sciences	 A3	Identificat: Description: Additional Description:	Mass: 25.895kg Material: Color:	
General tolerances:	Scale: 43:300	Designer: Roman Miah Approved: Product:	D Date: 16.06.23 App Date: Replays:	Treatment: surface finish: Sheet: 1/1	

100

101

102

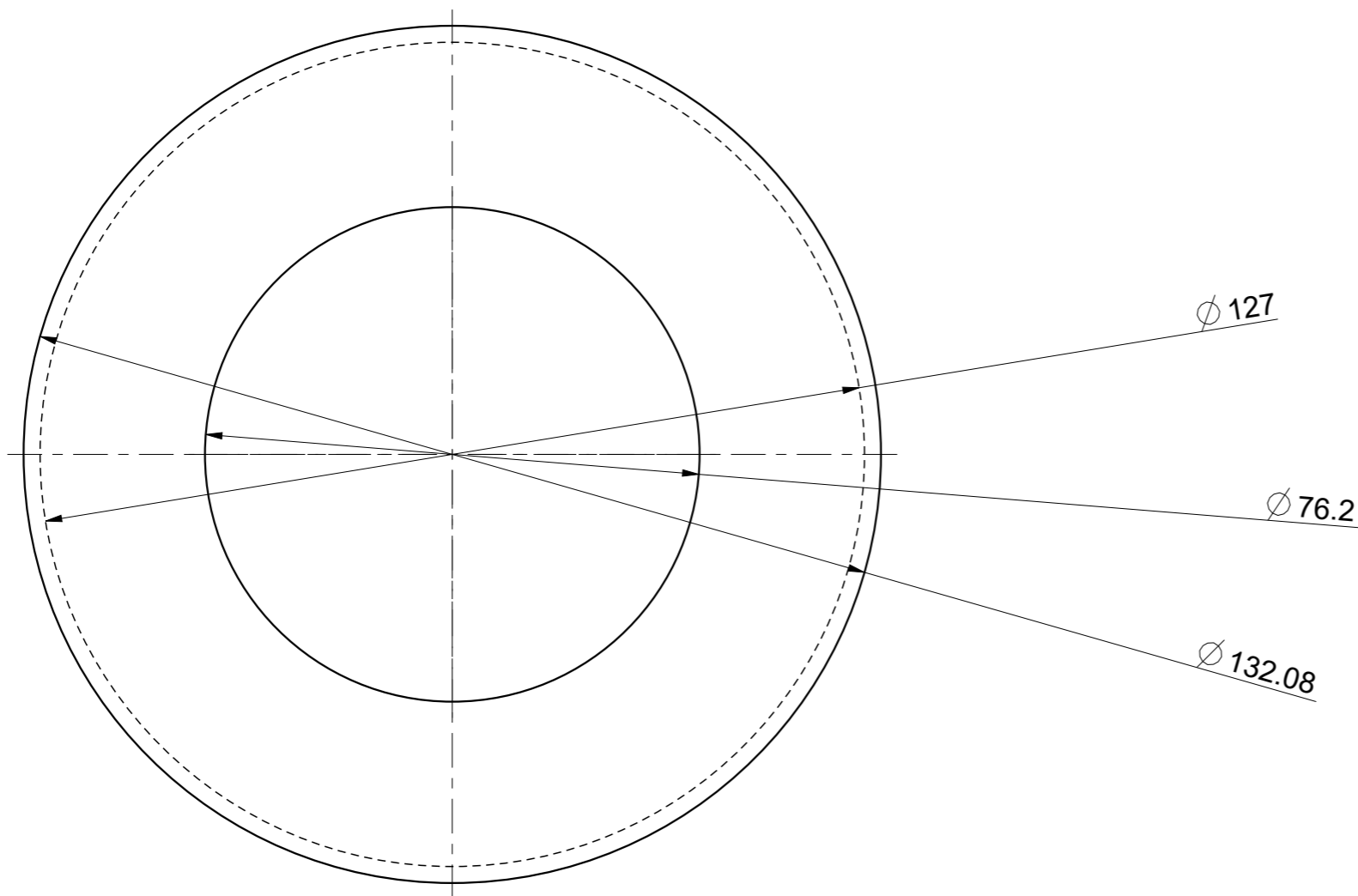
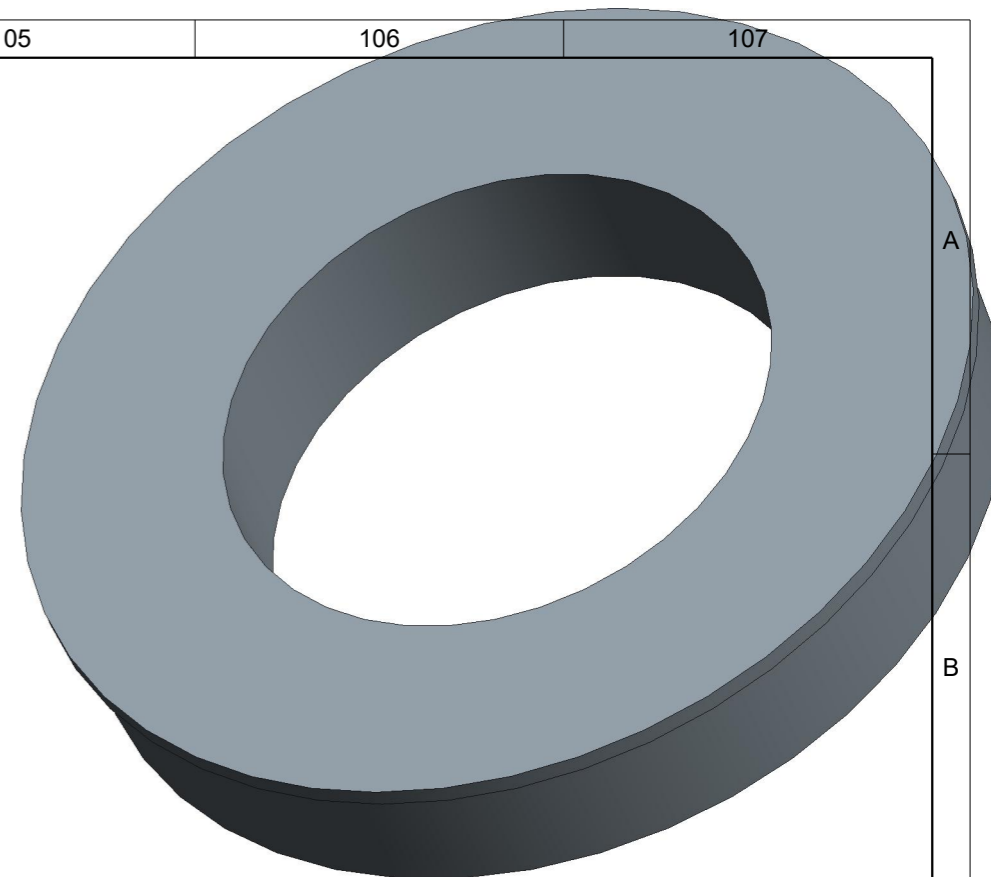
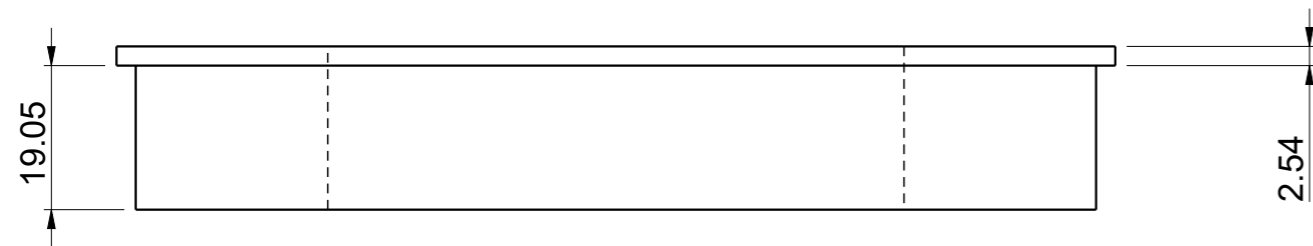
103

104

105

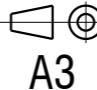
106

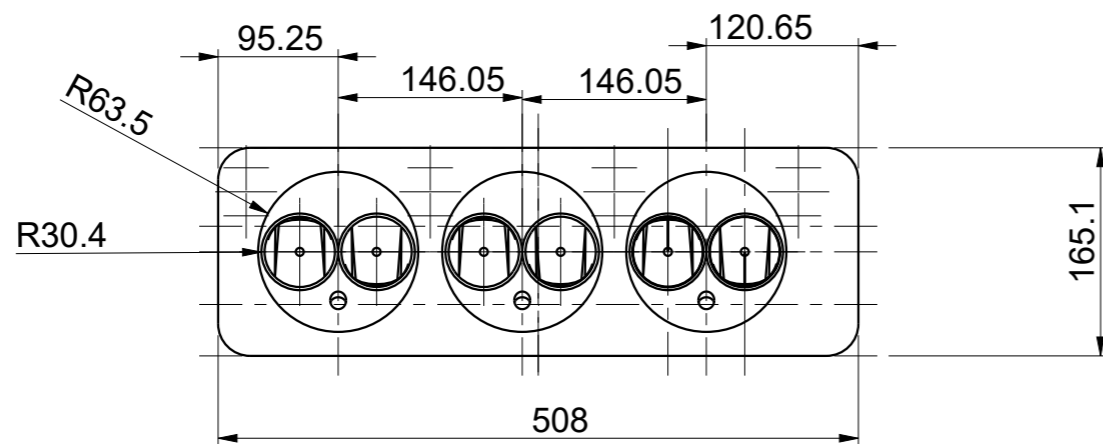
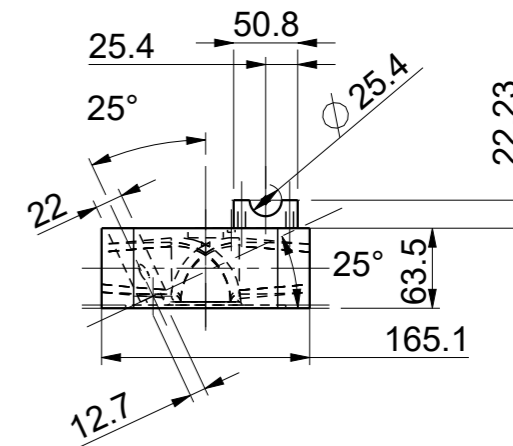
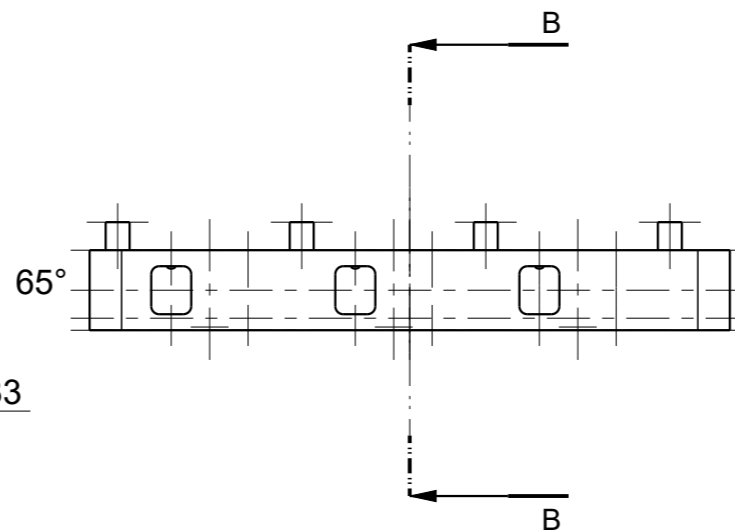
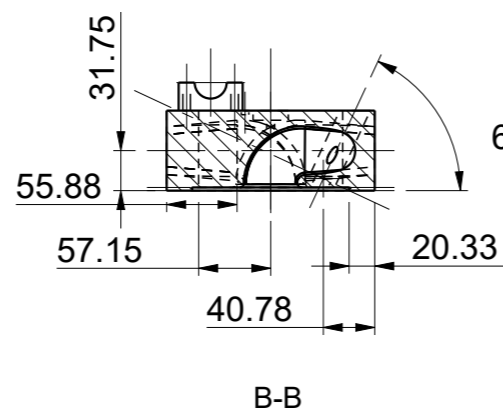
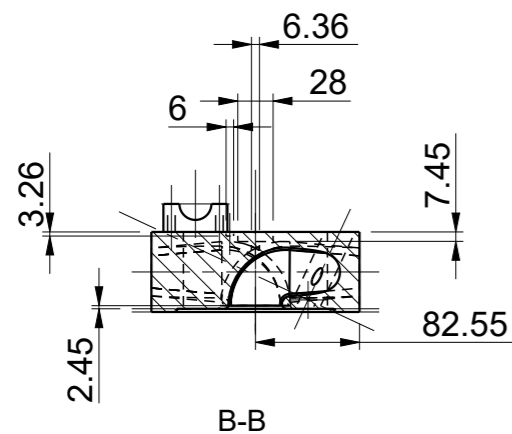
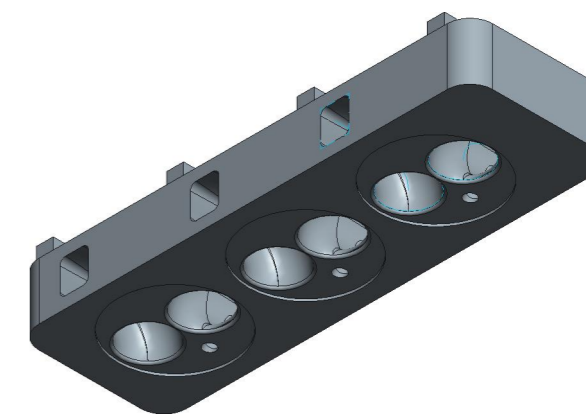
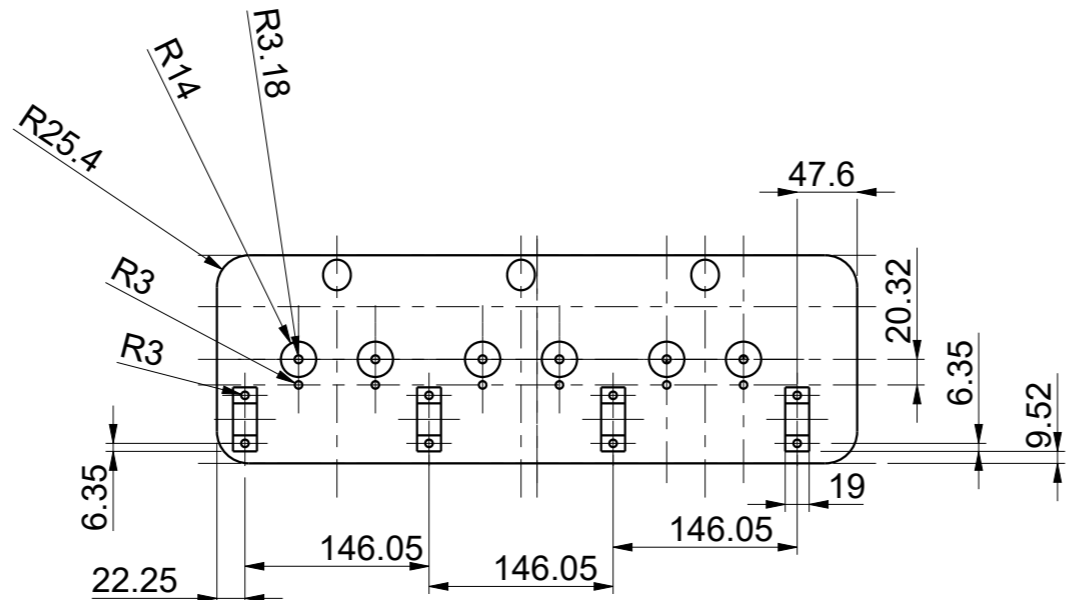
107



No part of this document may be reproduced or distributed in any form or by any means, or stored in a data base, without the written permission of owner.

Revision:	Rev. Description:	Rev. Date:	Rev. By:

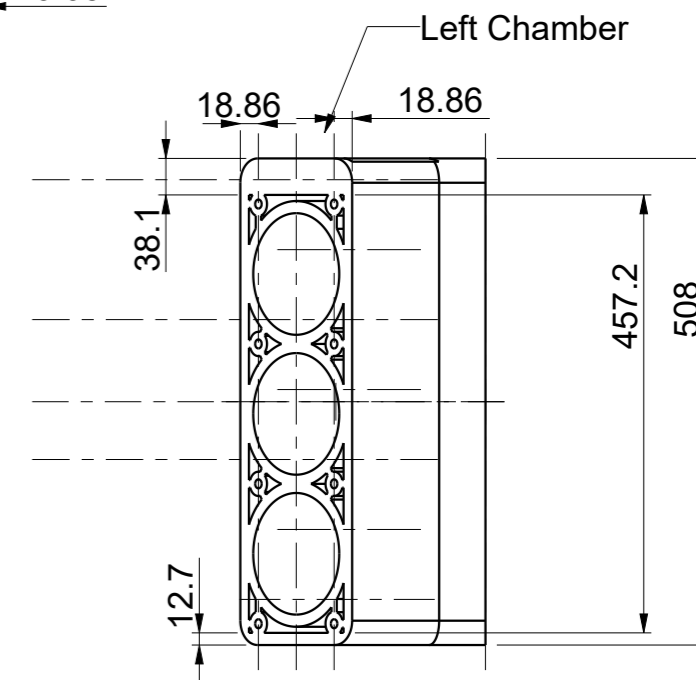
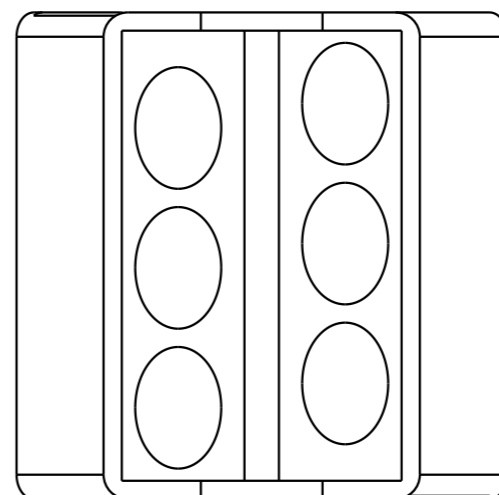
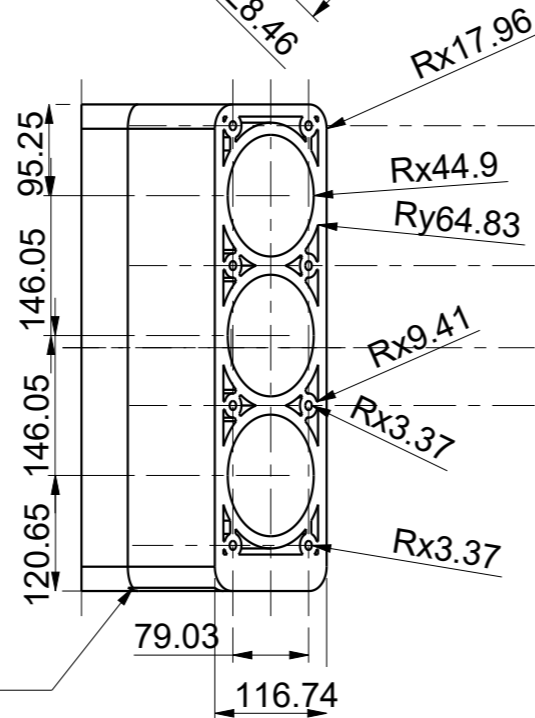
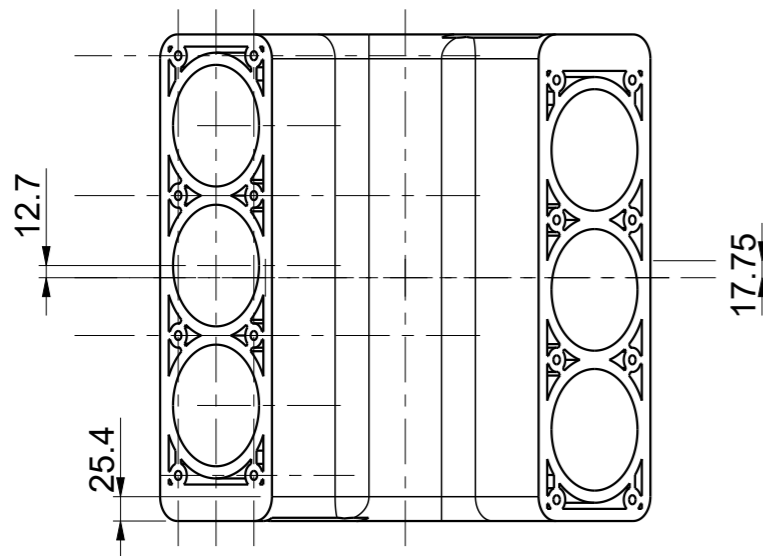
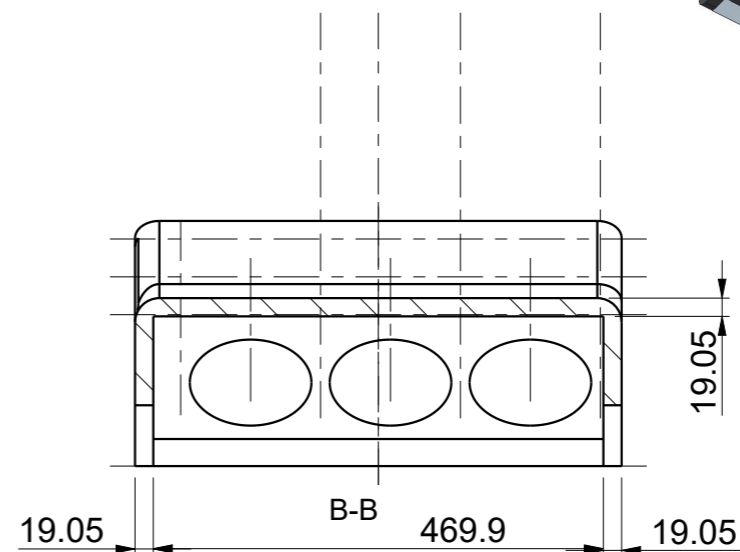
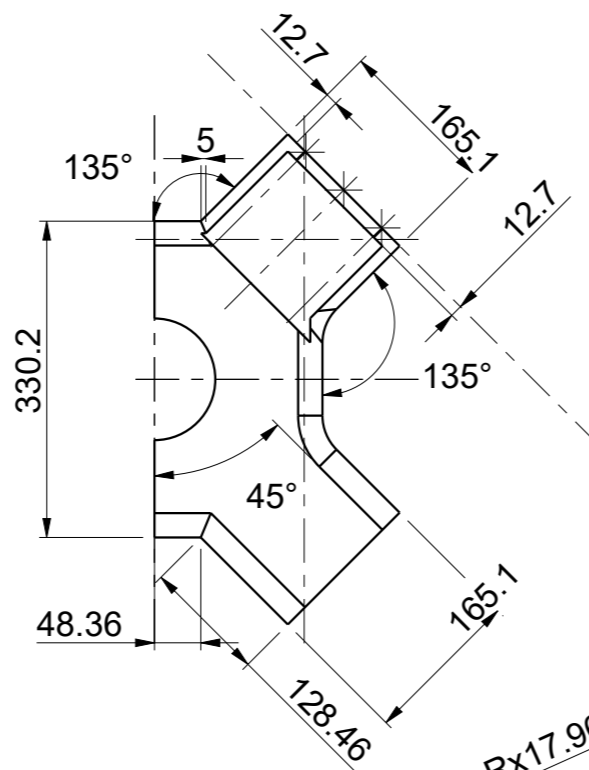
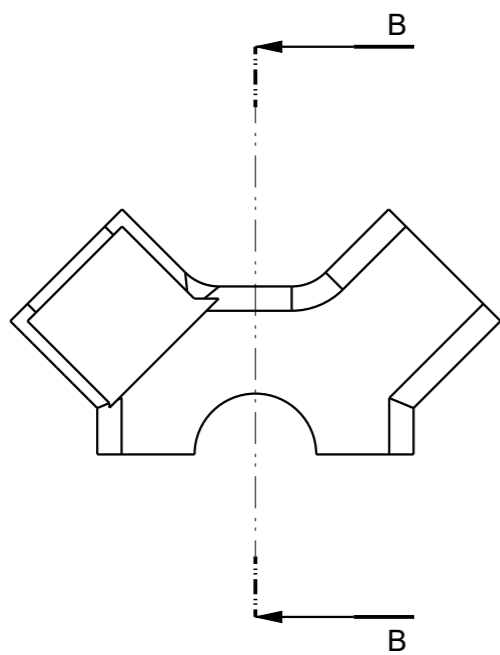
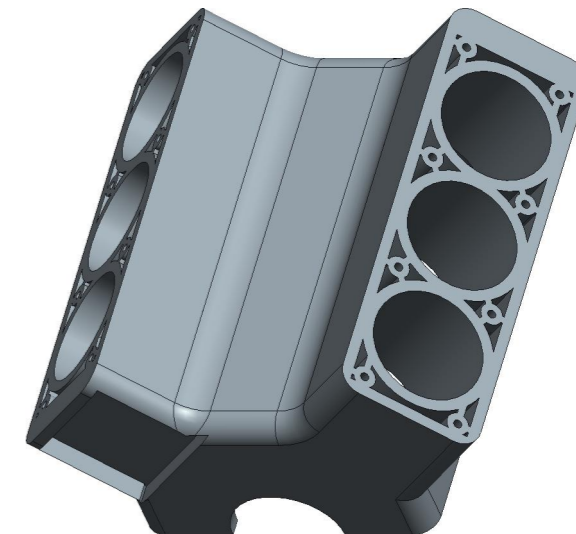
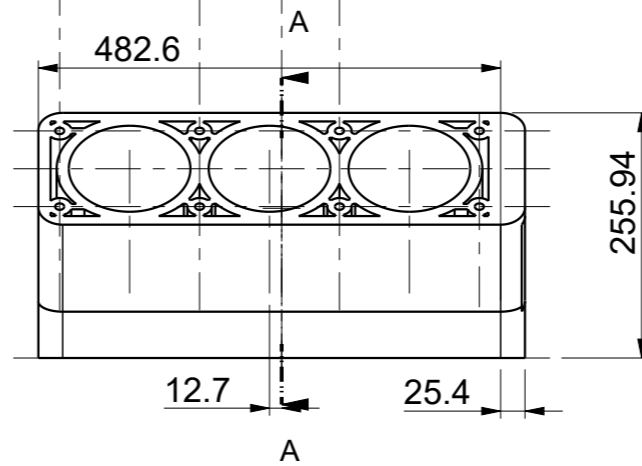
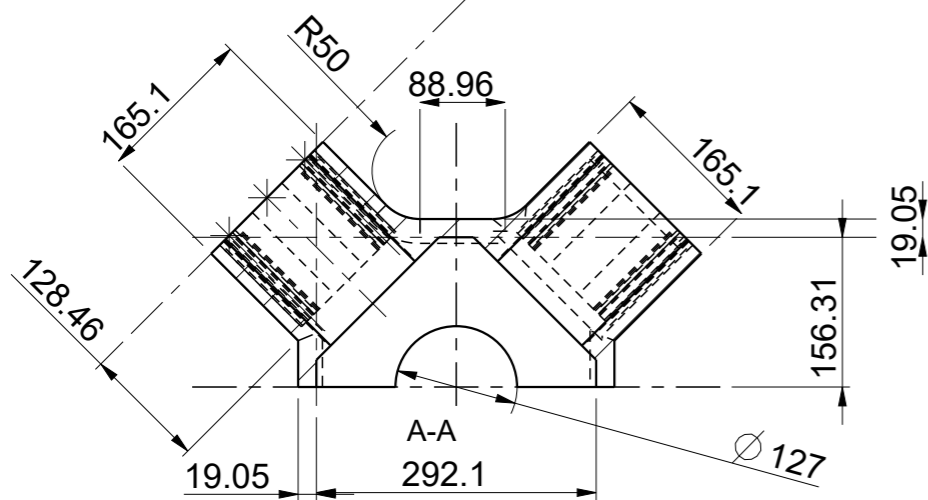
Part:	Identification:	Description:	Additional Description:	Mass:	Pcs:
HAMK	University of Applied Sciences		Identificat: Description: Additional Description:	Mass: 1.391kg	
General tolerances:	Scale: 1:1	Designer: Roman Miah Approved: Product:	D Date: 16.06.23 App Date: Replays:	Treatment: surface finish: Sheet:	1/1



No part of this document may be reproduced or distributed in any form or by any means, or stored in a data base, without the written permission of owner.

Revision:	Rev. Description:	Rev. Date:	Rev. By:

Part:	Identification:	Description:	Additional Description:	Mass:	Pcs:
HAMK	University of Applied Sciences	A3	Identificat: Description: Additional Description:	Mass: 31.731kg Material: Color:	E
General tolerances:	Scale: 1:6	Designer: Roman Miah Approved: Product:	D Date: 16.06.23 App Date: Replays:	Treatment: surface finish: Sheet: 1/1	



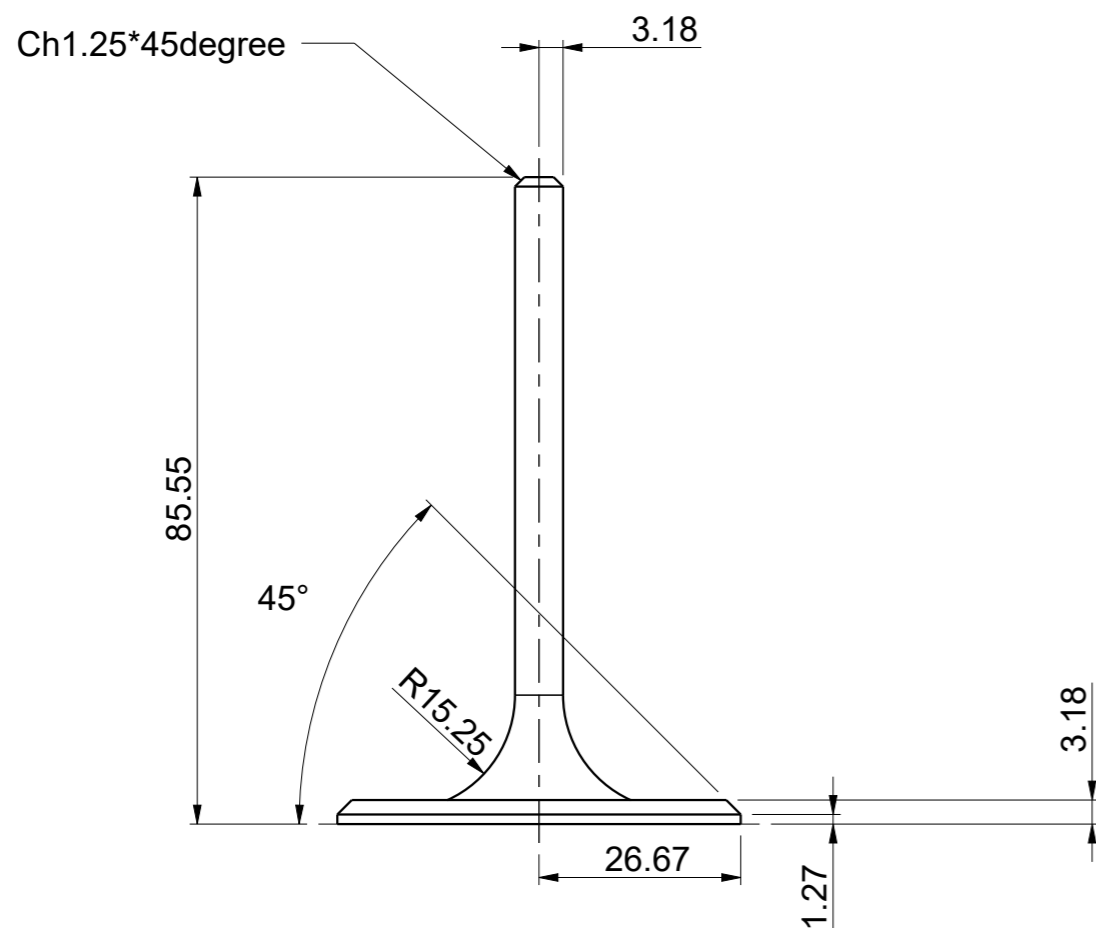
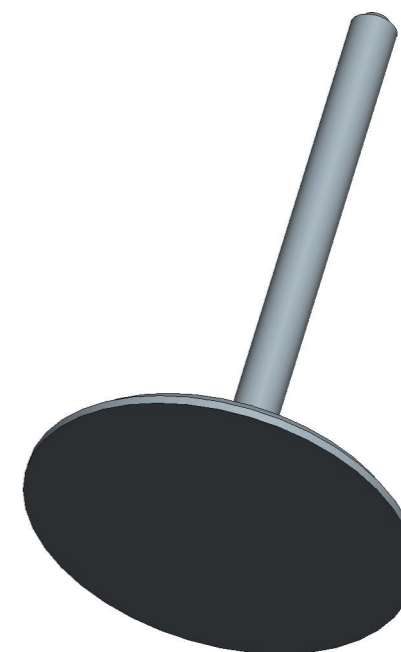
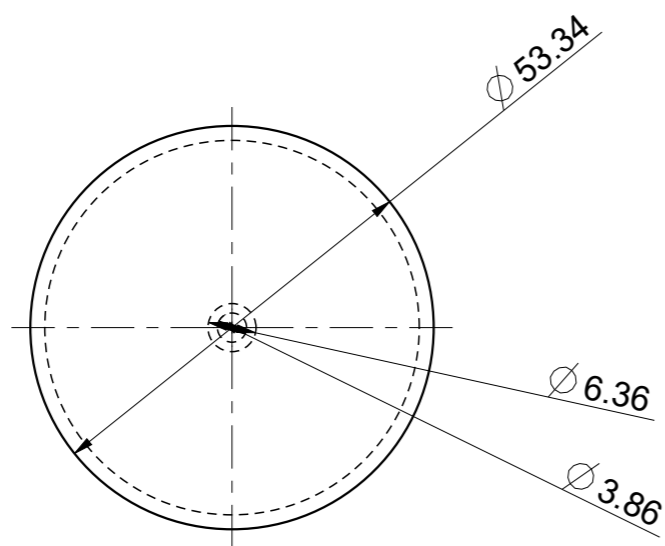
Right chamber

Left Chamber

No part of this document may be reproduced or distributed in any form or by any means, or stored in a data base, without the written permission of owner.

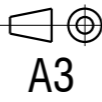
Revision:	Rev. Description:	Rev. Date:	Rev. By:

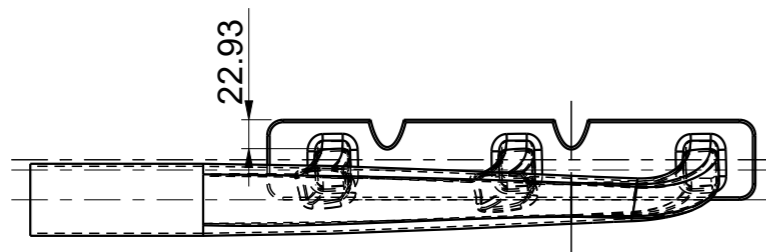
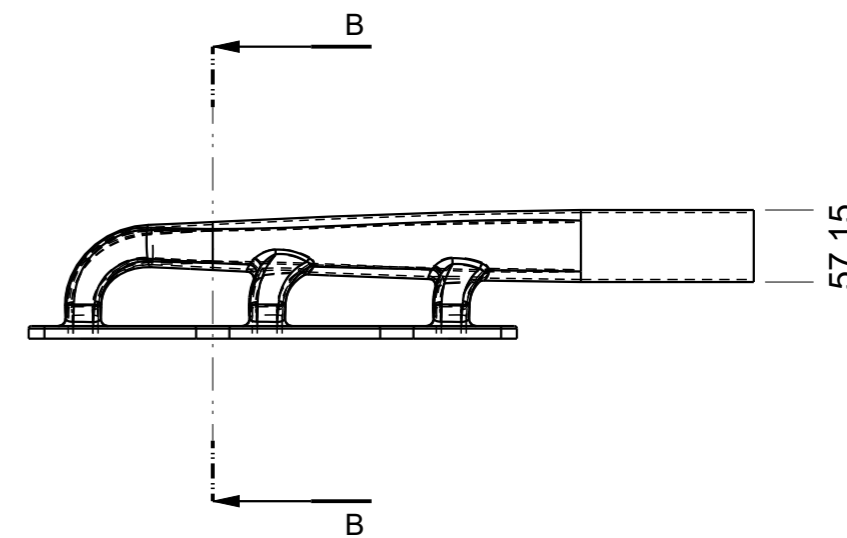
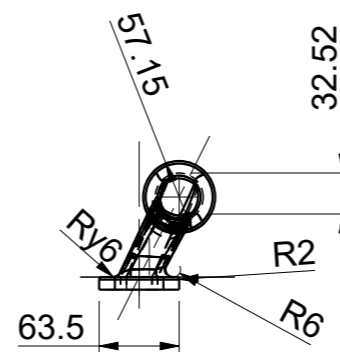
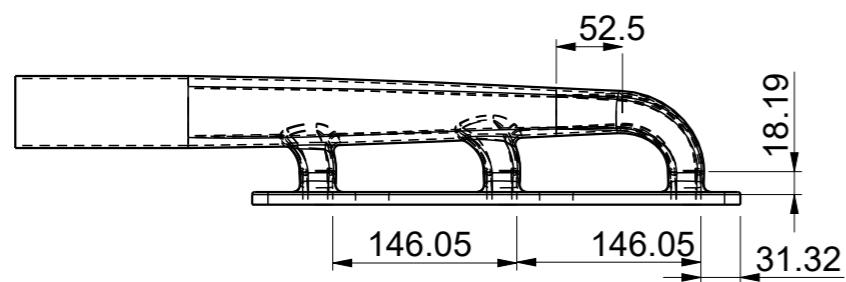
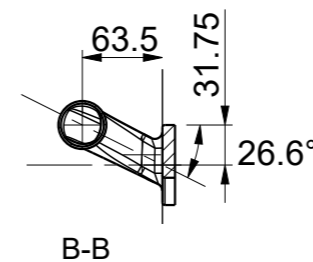
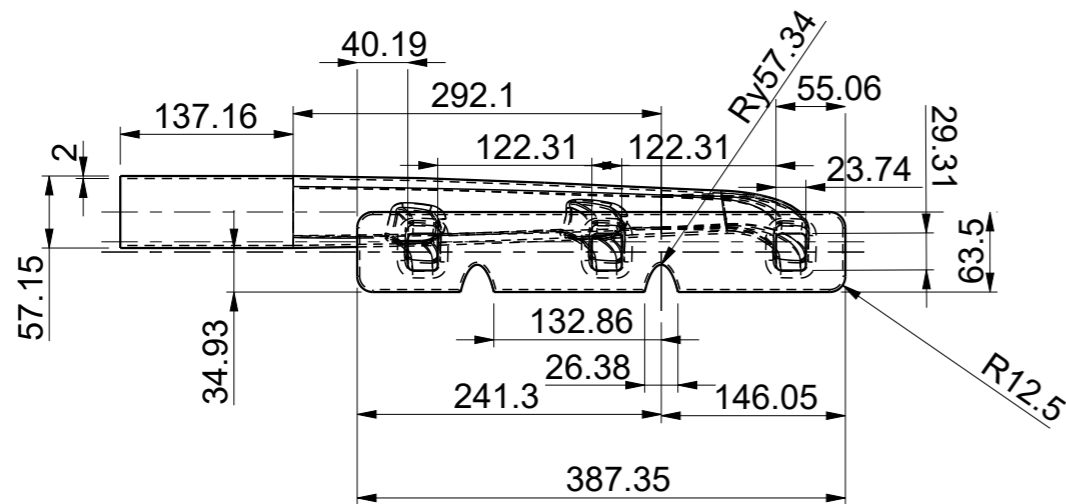
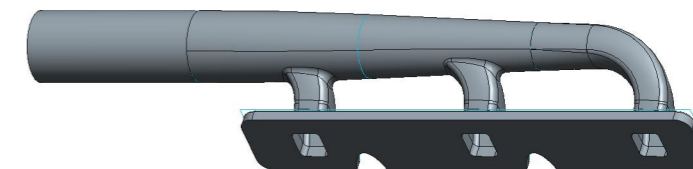
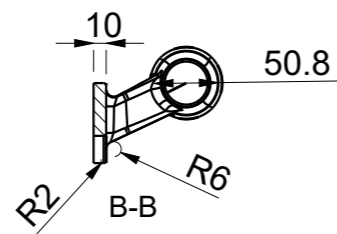
Part:	Identification:	Description:	Additional Description:	Mass:	Pcs:
HAMK				111.644kg	
University of Applied Sciences	A3				
General tolerances:	Scale: 19:150	Designer: Roman Miah	D Date: 16.06.23	Treatment: surface finish:	Sheet: 1/1
		Approved:	App Date:		
		Product:	Replays:		



No part of this document may be reproduced or distributed in any form or by any means, or stored in a data base, without the written permission of owner.

Revision:	Rev. Description:	Rev. Date:	Rev. By:

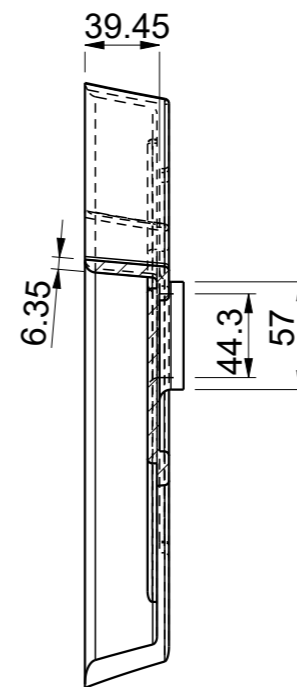
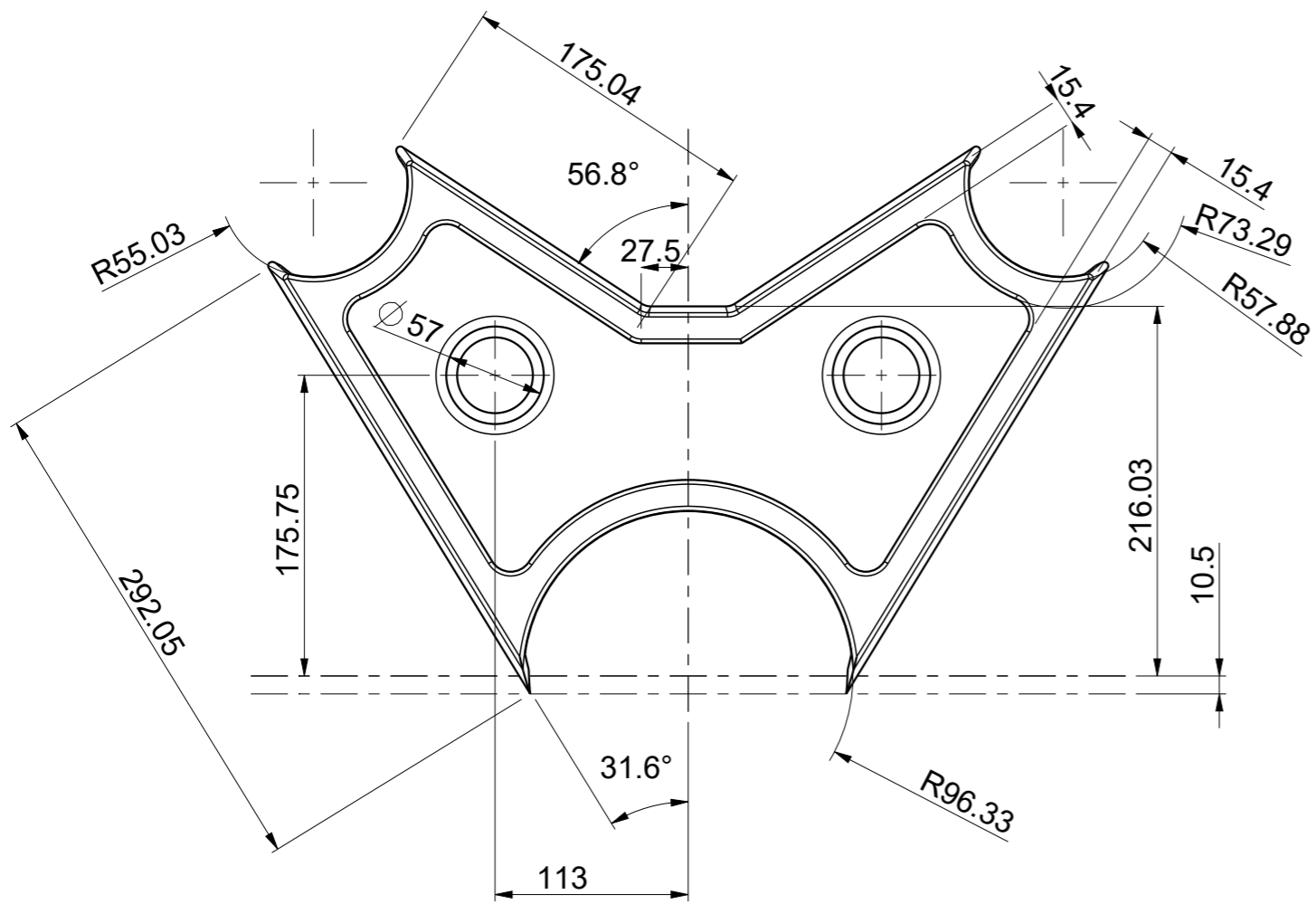
Part:	Identification:	Description:	Additional Description:	Mass:	Pcs:
HAMK	University of Applied Sciences	 A3	Identificat: Description: Additional Description:	Mass: 0.073kg Material: Color:	E
General tolerances:	Scale: 1:1	Designer: Roman Miah Approved: Product:	D Date: 16.06.2023 App Date: Replays:	Treatment: surface finish: Sheet: 1/1	



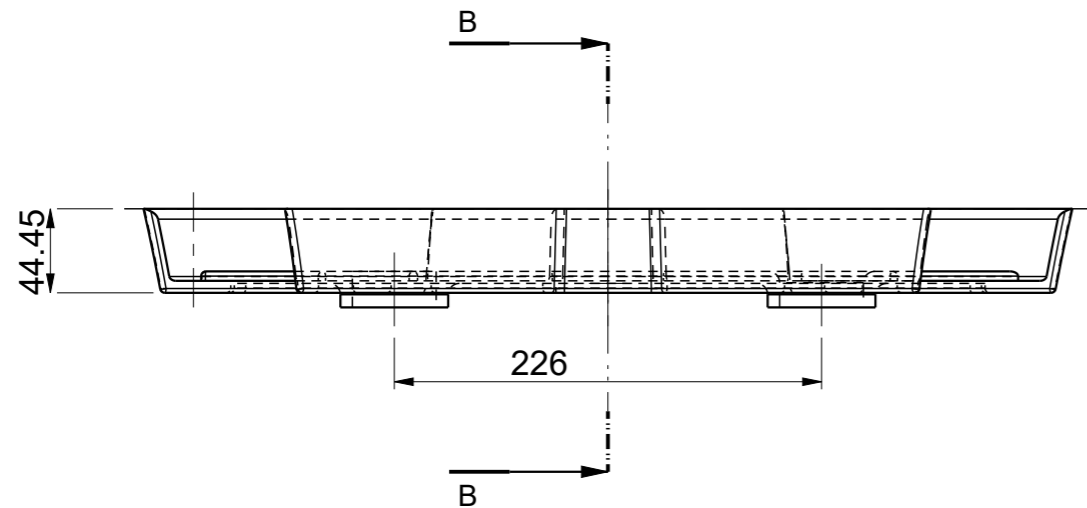
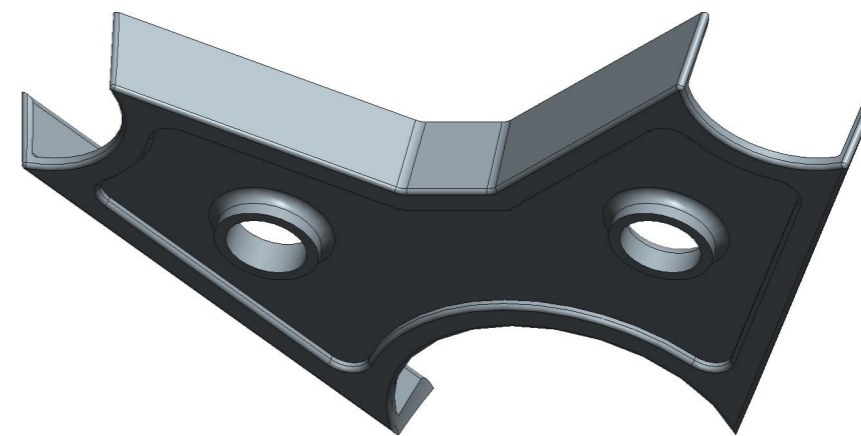
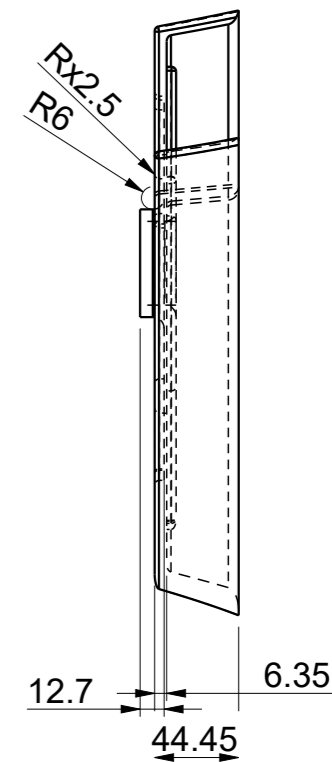
Revision:	Rev. Description:	Rev. Date:	Rev. By:

Part:	Identification:	Description:	Additional Description:	Mass:	Pcs:
HAMK	University of Applied Sciences	A3	Identificat: Description: Additional Description:	Mass: 3.146kg Material: Color:	
General tolerances:	Scale: 1:6	Designer: Roman Miah Approved: Product:	D Date: 16.06.23 App Date: Replays:	Treatment: surface finish: Sheet: 1/1	

No part of this document may be reproduced or distributed in any form or by any means, or stored in a data base, without the written permission of owner.

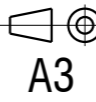


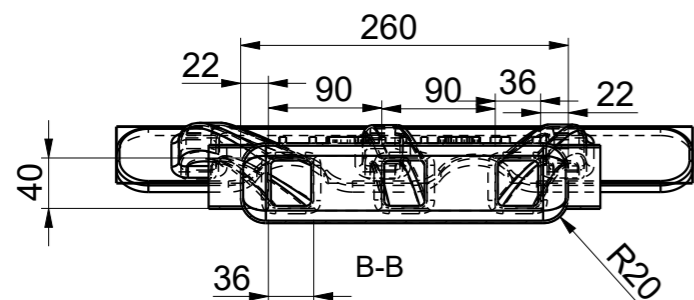
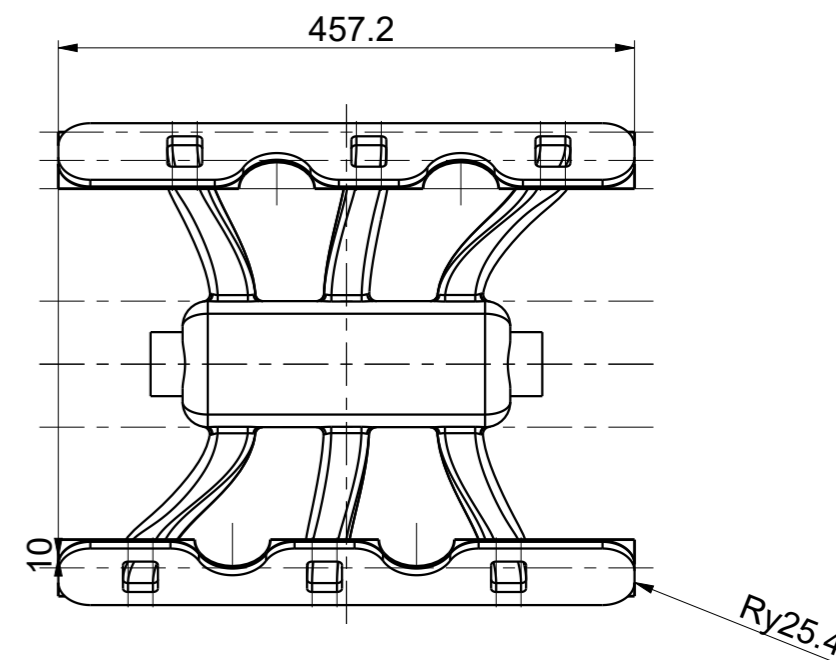
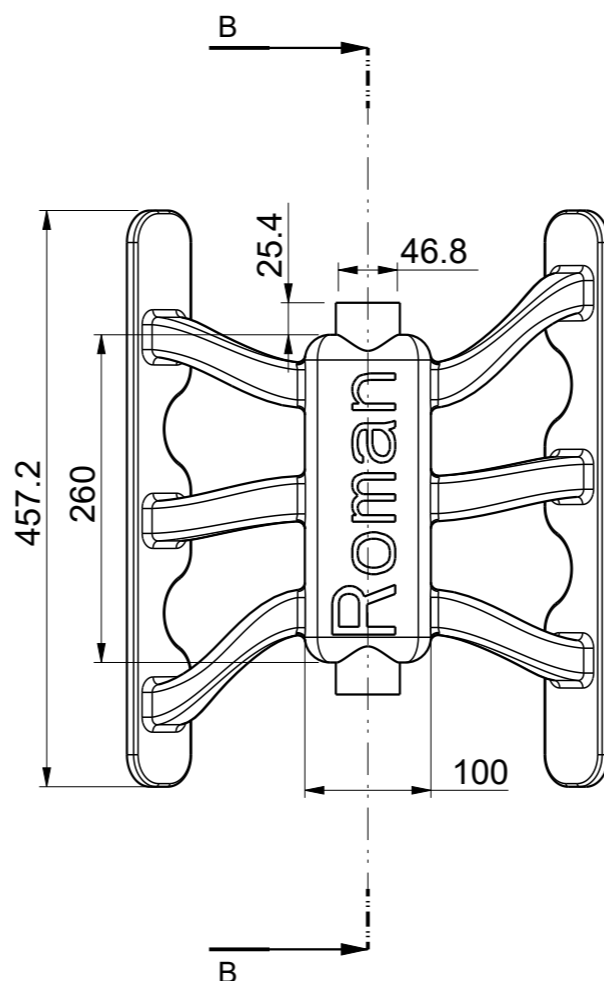
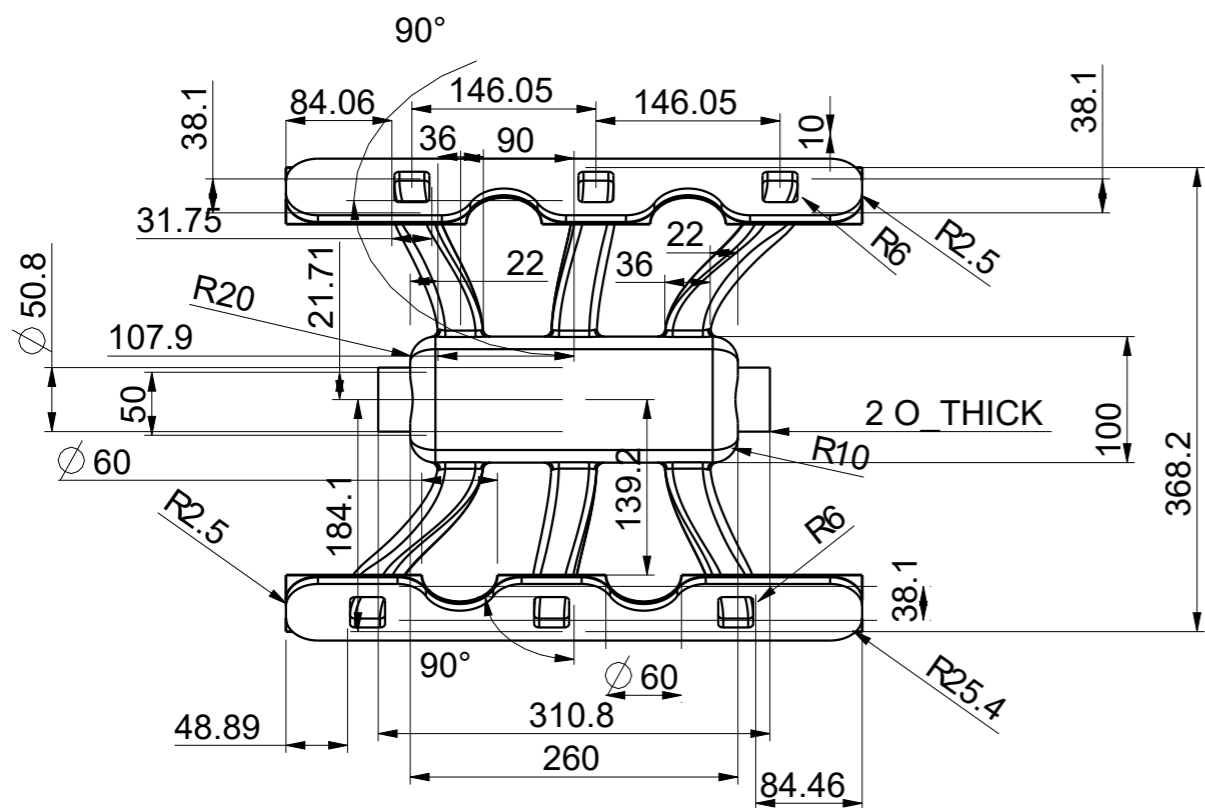
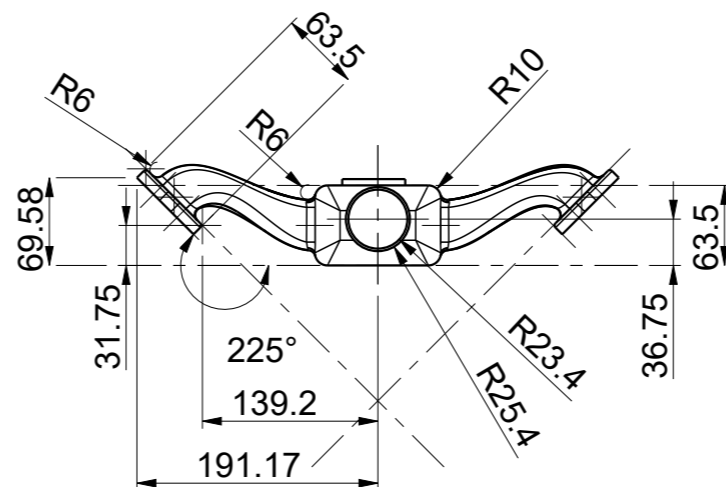
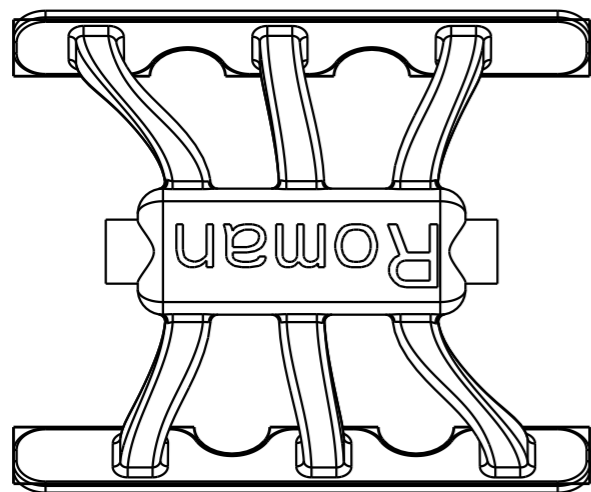
B-B



No part of this document may be reproduced or distributed in any form or by any means, or stored in a data base, without the written permission of owner.

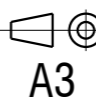
Revision:	Rev. Description:	Rev. Date:	Rev. By:

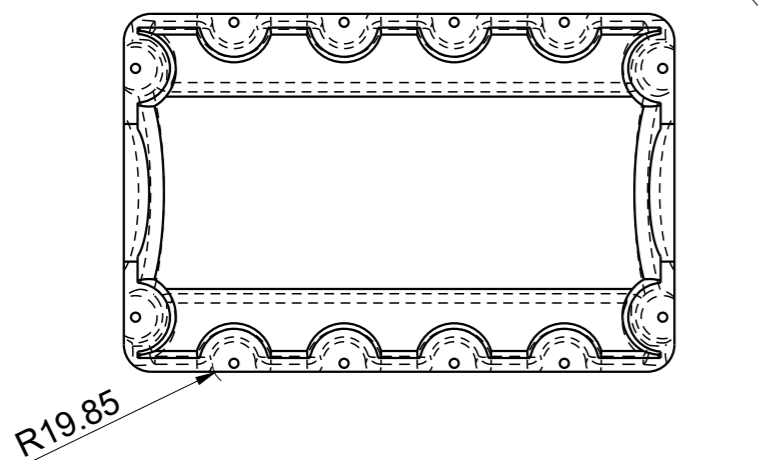
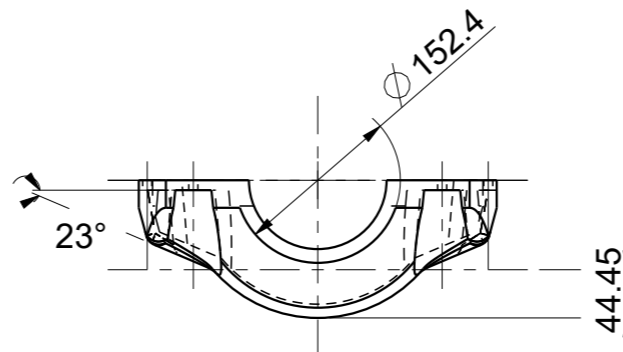
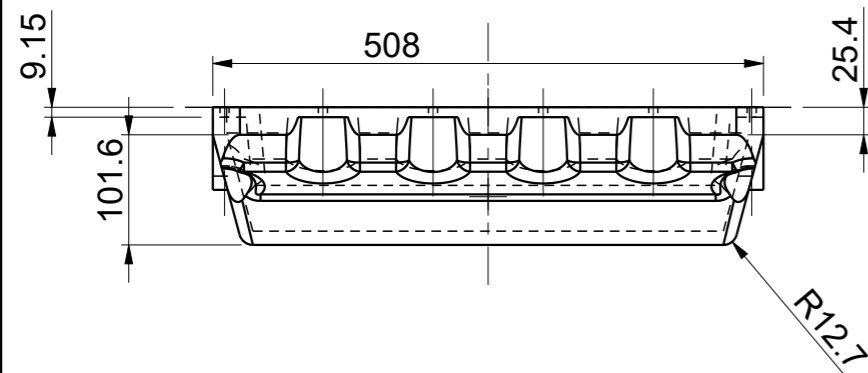
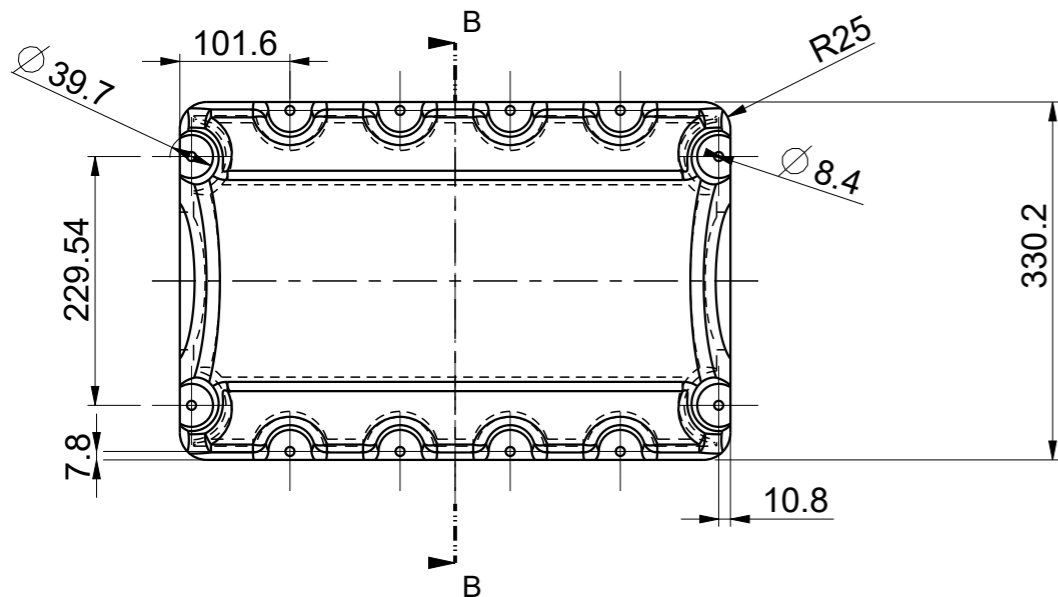
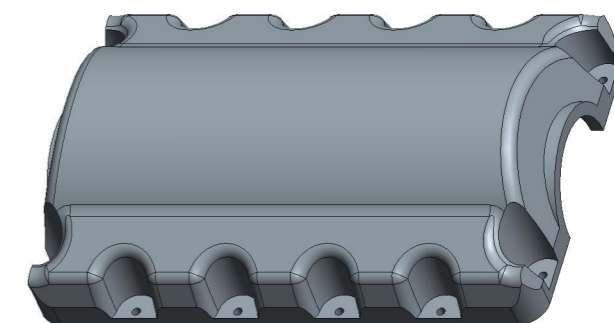
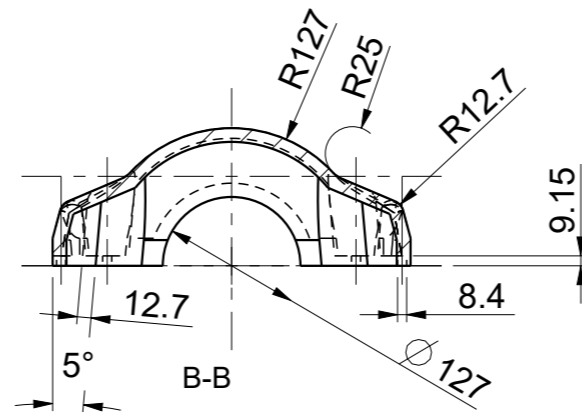
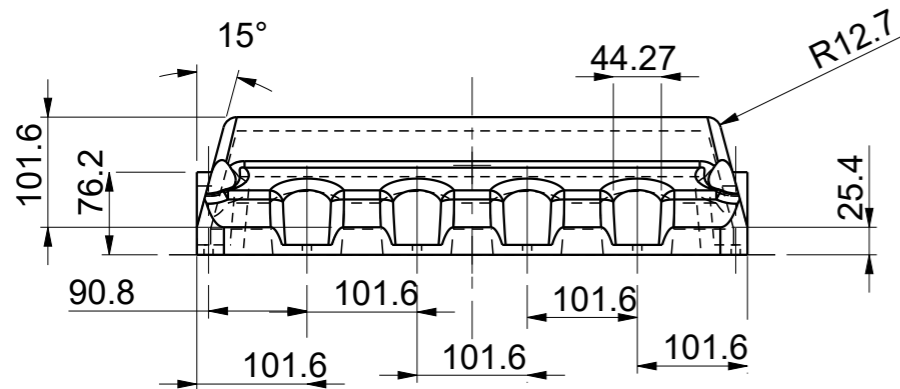
Part:	Identification:	Description:	Additional Description:	Mass:	Pcs:
HAMK	University of Applied Sciences	 A3	Identificat: Description: Additional Description:	Mass: 5.563kg Material: Color:	
General tolerances:	Scale: 1:4	Designer: Roman Miah Approved: Product:	D Date: 16.06.23 App Date: Replays:	Treatment: surface finish: Sheet: 1/1	



No part of this document may be reproduced or distributed in any form or by any means, or stored in a data base, without the written permission of owner.

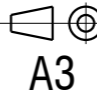
Revision:	Rev. Description:	Rev. Date:	Rev. By:

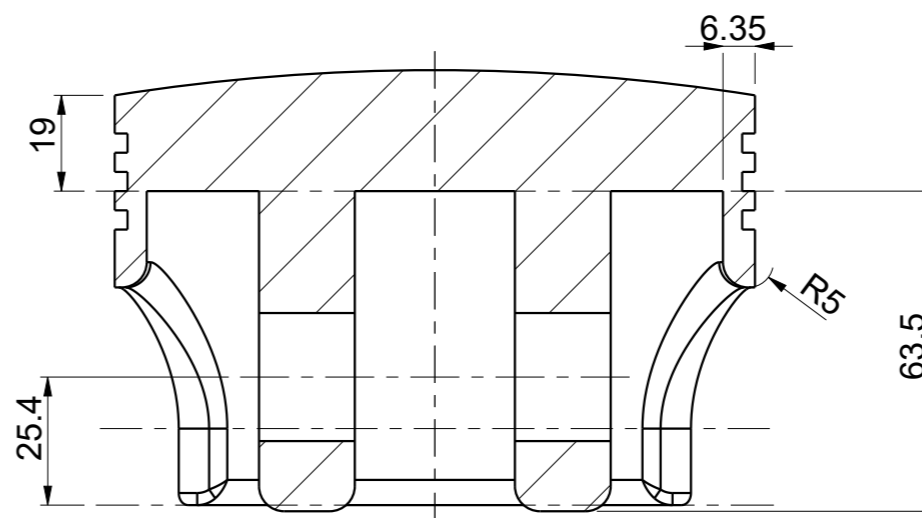
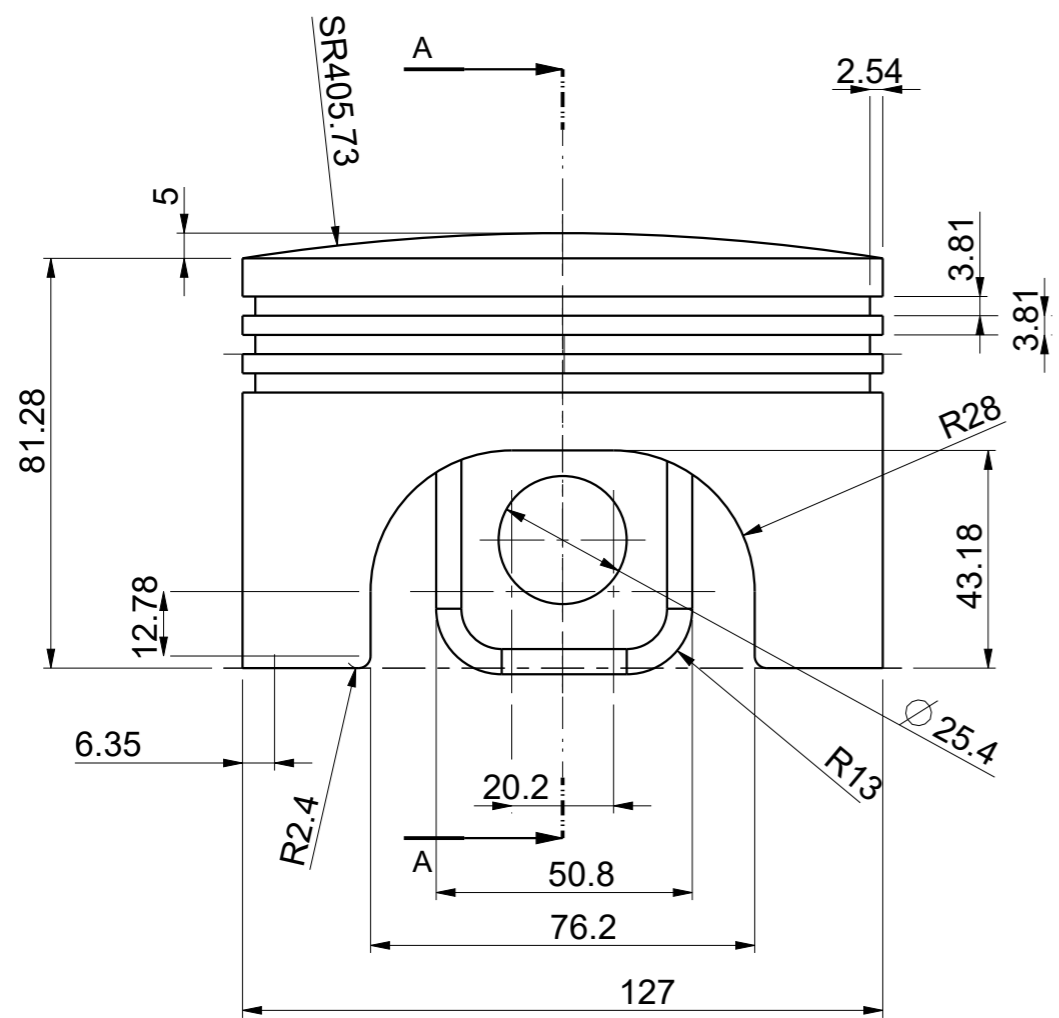
Part:	Identification:	Description:	Additional Description:	Mass:	Pcs:
HAMK	University of Applied Sciences	 A3 Scale: 1:6	Identificat: 16.06.23 Description: Additional Description:	Mass: 6.377kg Material: Color:	1/1
General tolerances:		Designer: Roman Miah	D Date:	Treatment:	
		Approved:	App Date:	surface finish:	
		Product:	Replays:	Sheet:	



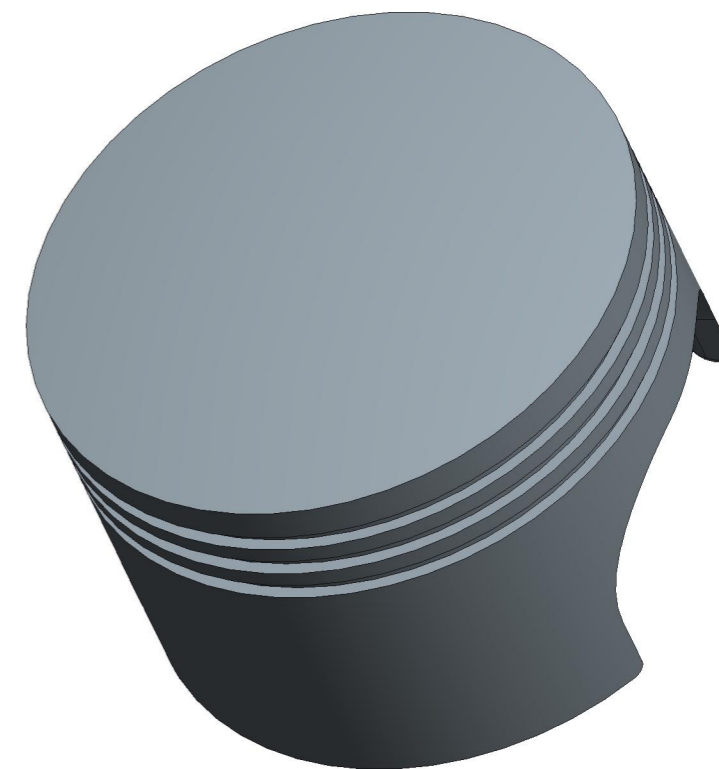
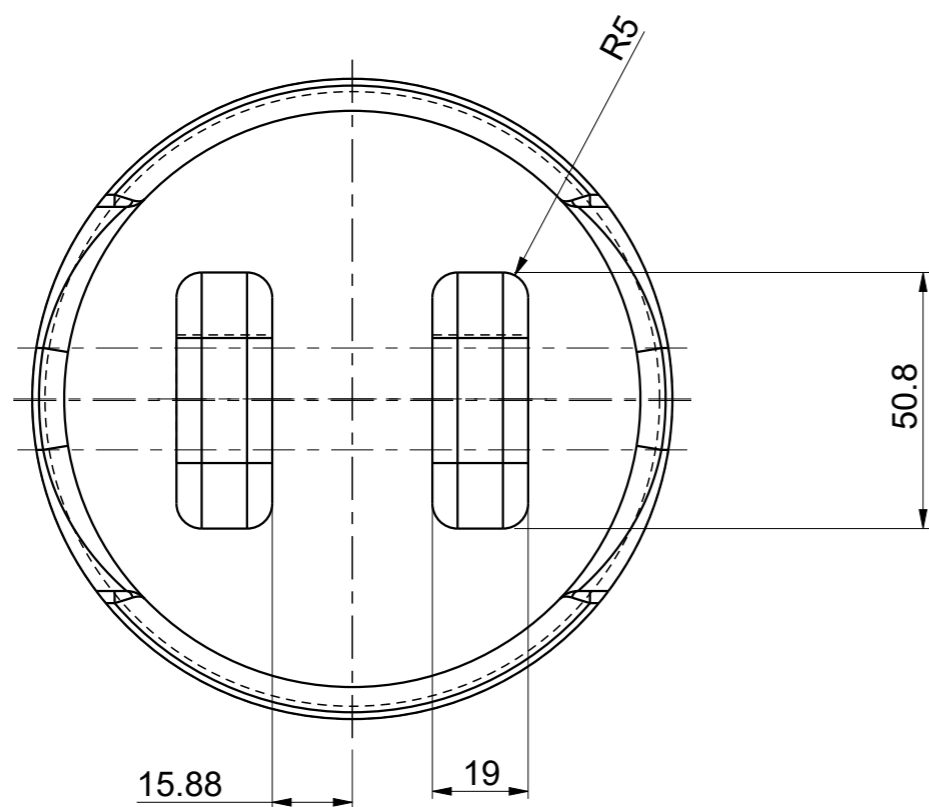
No part of this document may be reproduced or distributed in any form or by any means, or stored in a data base, without the written permission of owner.

Revision:	Rev. Description:	Rev. Date:	Rev. By:

Part:	Identification:	Description:	Additional Description:	Mass:	Pcs:
HAMK	University of Applied Sciences	 A3	Identificat: Description: Additional Description:	Mass: 26.858kg	
General tolerances:	Scale: 43:300	Designer: Roman Miah	D Date: 16.06.23	Treatment: surface finish:	1/1
		Approved:	App Date:	Sheet:	
		Product:	Replays:		



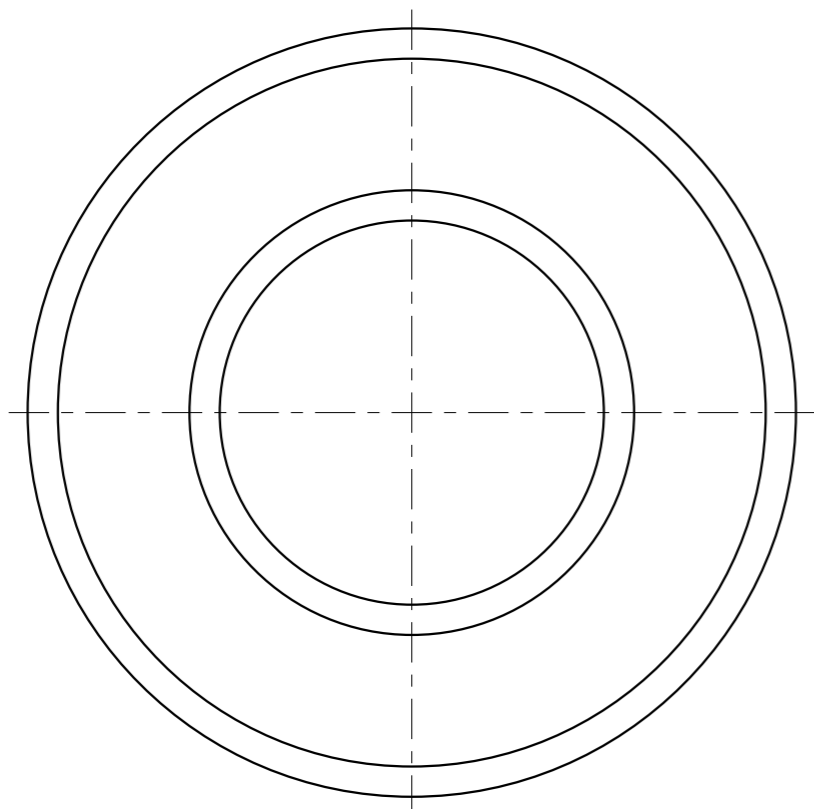
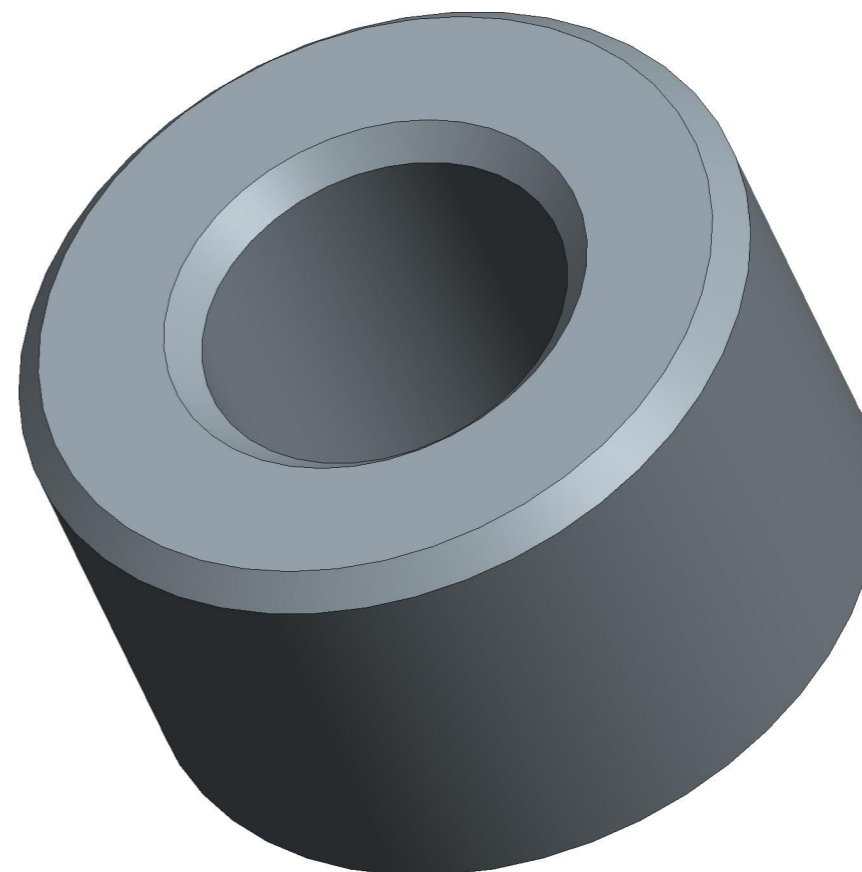
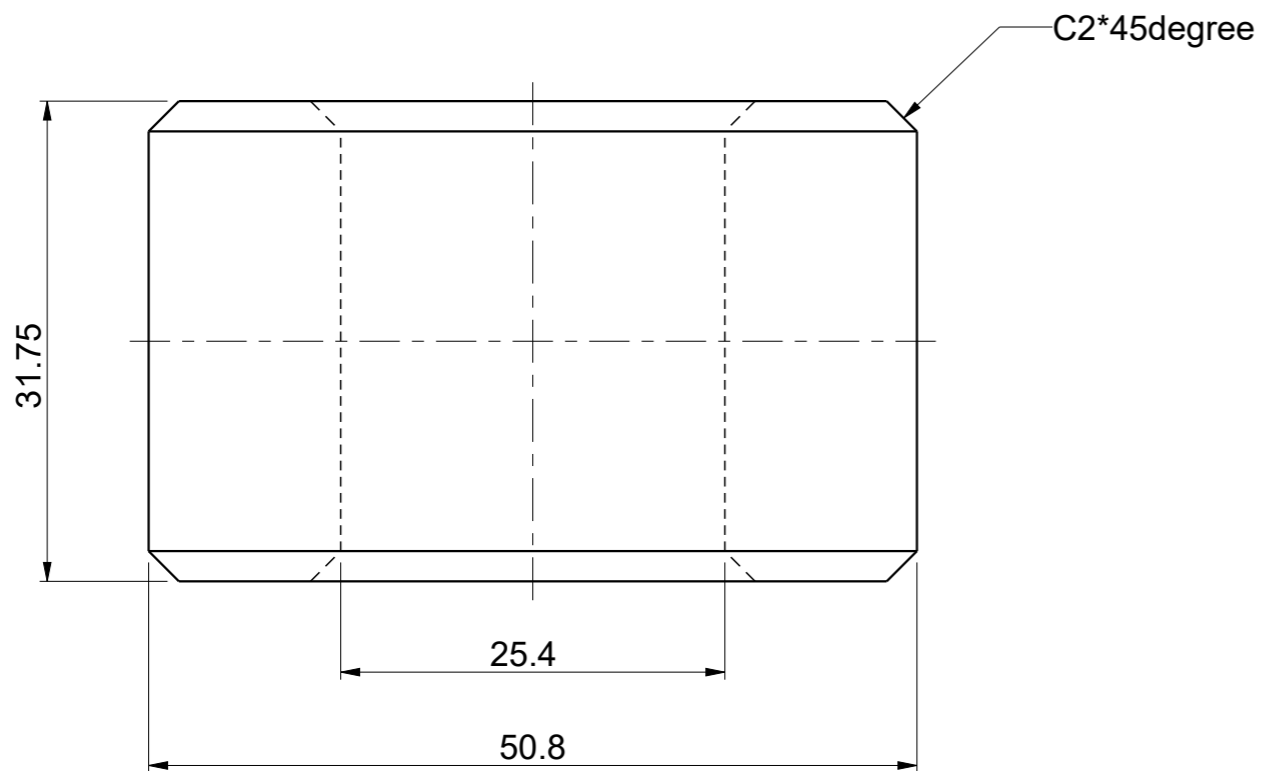
A-A



No part of this document may be reproduced or distributed in any form or by any means, or stored in a data base, without the written permission of owner.

Revision:	Rev. Description:	Rev. Date:	Rev. By:

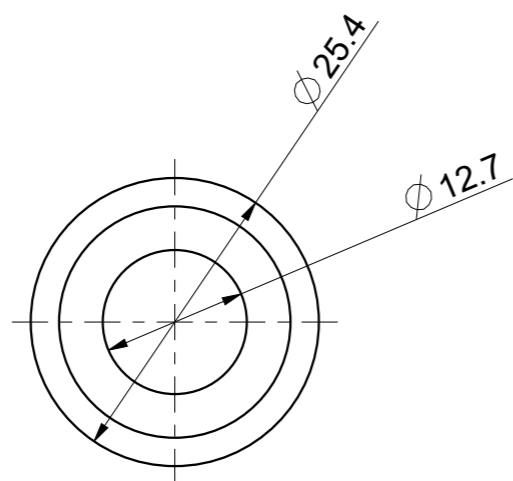
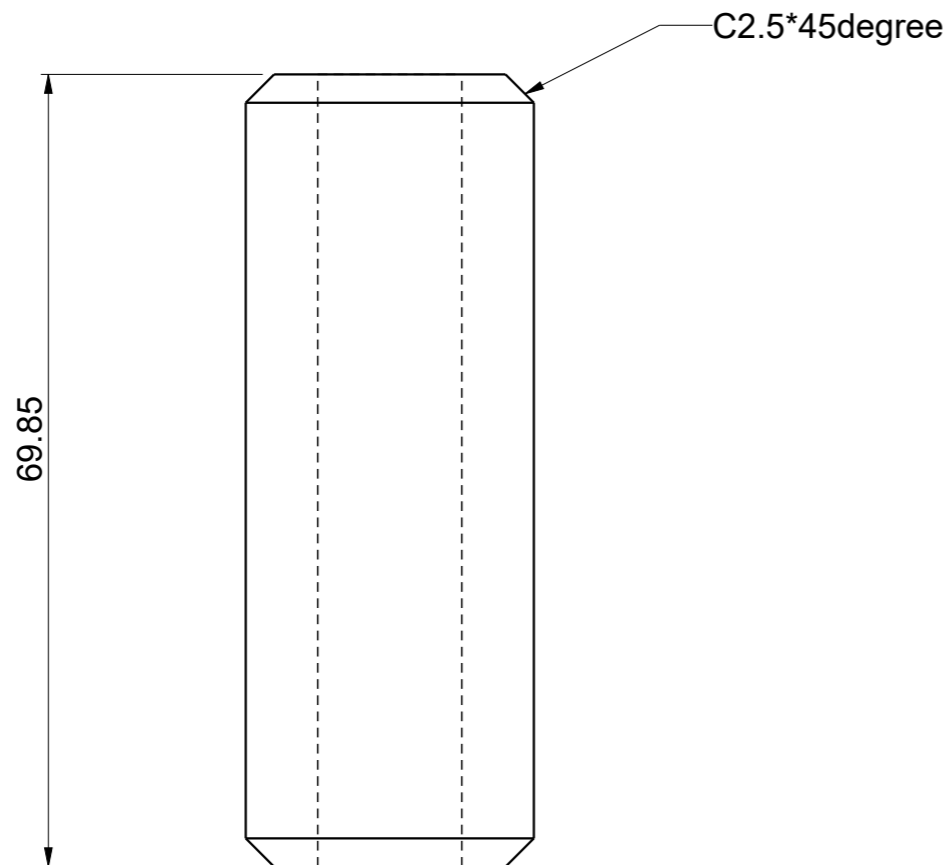
Part:	Identification:	Description:	Additional Description:	Mass:	Pcs:
HAMK	University of Applied Sciences	A3	Identificat: Description: Additional Description:	Mass: 3.648kg	
General tolerances:	Scale: 2:3	Designer: Roman Miah	D Date: 16.06.2023	Treatment: surface finish:	1/1
		Approved:	App Date:	Sheet:	
		Product:	Replays:		



No part of this document may be reproduced or distributed in any form or by any means, or stored in a data base, without the written permission of owner.

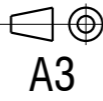
Revision:	Rev. Description:	Rev. Date:	Rev. By:

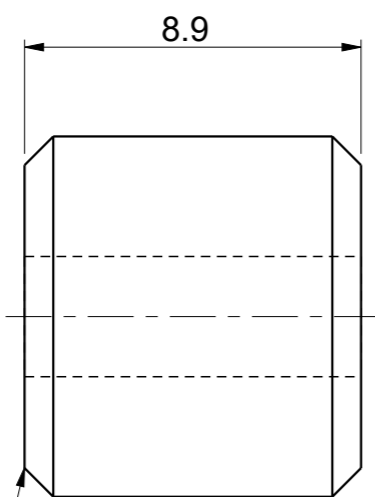
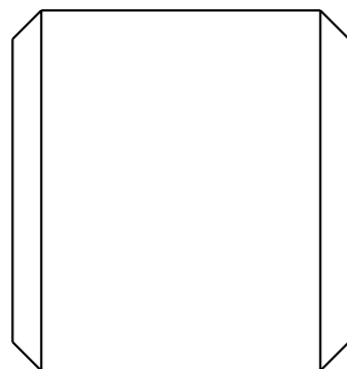
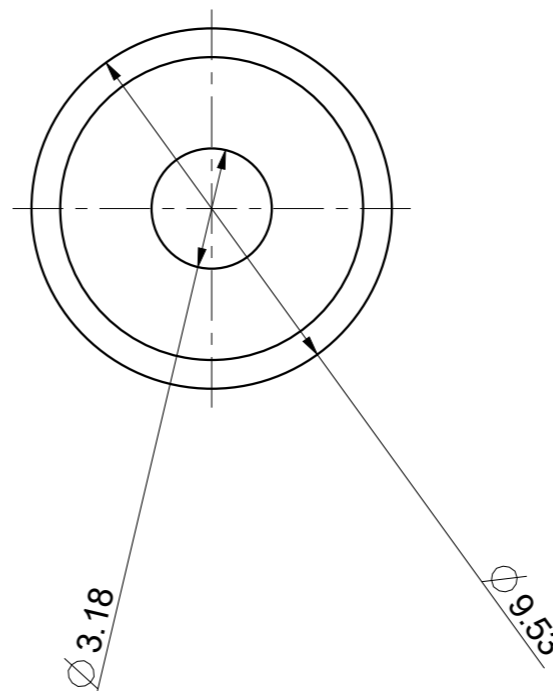
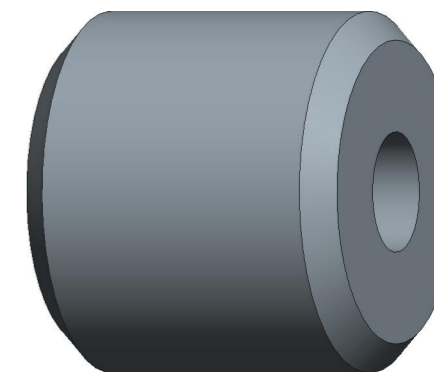
Part:	Identification:	Description:	Additional Description:	Mass:	Pcs:
HAMK	University of Applied Sciences	A3	Identificat: Description: Additional Description:	Mass: 0.370kg	
General tolerances:	Scale: 2:1	Designer: Roman Miah	D Date: 16.06.23	Treatment: surface finish:	
		Approved:	App Date:	Sheet: 1/1	
		Product:	Replays:		



No part of this document may be reproduced or distributed in any form or by any means, or stored in a data base, without the written permission of owner.

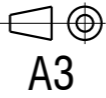
Revision:	Rev. Description:	Rev. Date:	Rev. By:

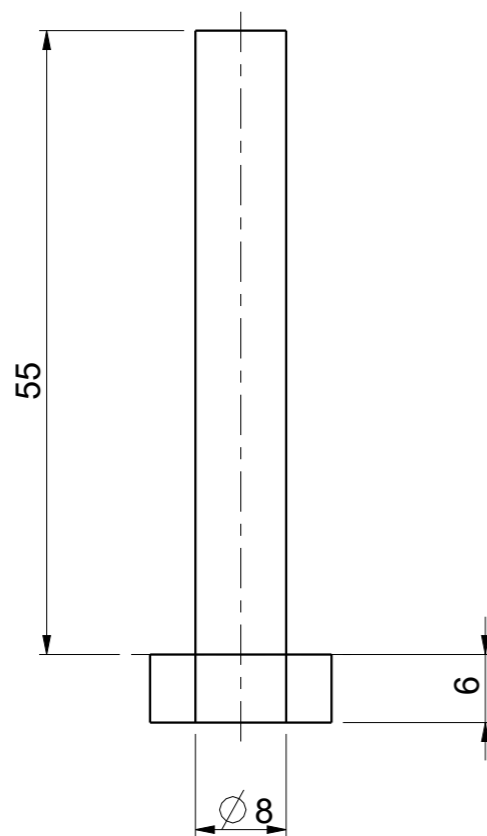
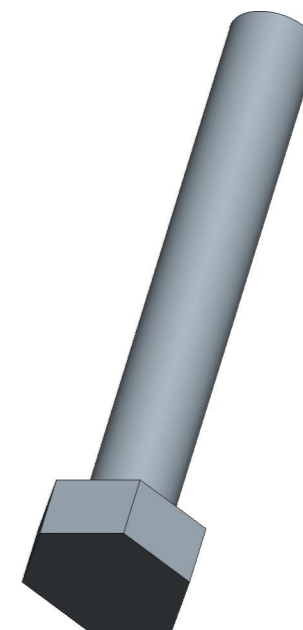
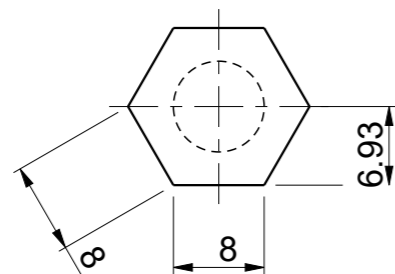
Part:	Identification:	Description:	Additional Description:	Mass:	Pcs:
HAMK	University of Applied Sciences	 A3	Identificat: Description: Additional Description:	Mass: 0.204kg Material: Color:	
General tolerances:	Scale: 3:2	Designer: Roman Miah Approved: Product:	D Date: 16.06.23 App Date: Replays:	Treatment: surface finish: Sheet:	1/1



C0.76*45degree

Revision:	Rev. Description:	Rev. Date:	Rev. By:

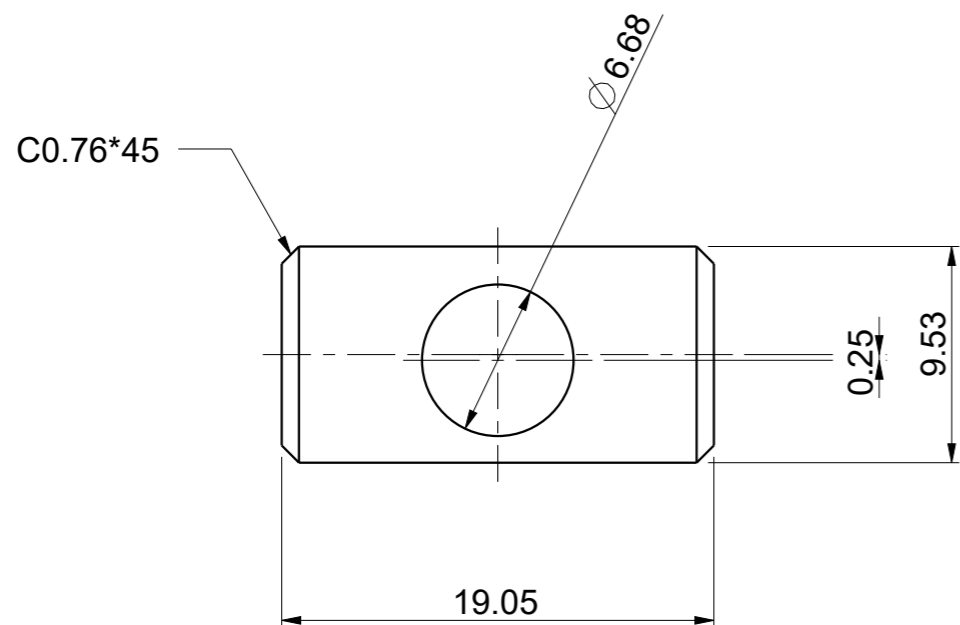
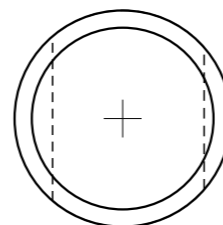
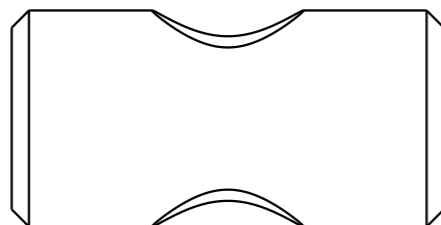
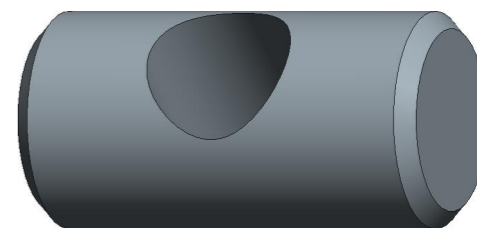
Part:	Identification:	Description:	Additional Description:	Mass:	Pcs:
HAMK	University of Applied Sciences	 A3	Identificat: Description: Additional Description:	Mass: 0.004kg Material: Color:	
General tolerances:	Scale: 5:1	Designer: Roman Miah Approved: Product:	D Date: 16.06.23 App Date: Replays:	Treatment: surface finish: Sheet:	1/1



Revision:	Rev. Description:	Rev. Date:	Rev. By:

Part:	Identification:	Description:	Additional Description:	Mass:	Pcs:
HAMK	University of Applied Sciences	A3	Identificat: Description: Additional Description:	Mass: 0.029kg Material: Color:	
General tolerances:	Scale: 3:2	Designer: Roman Miah Approved: Product:	D Date: 16.06.23 App Date: Replays:	Treatment: surface finish: Sheet: 1/1	

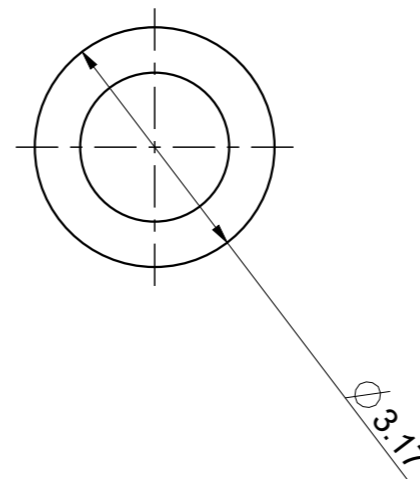
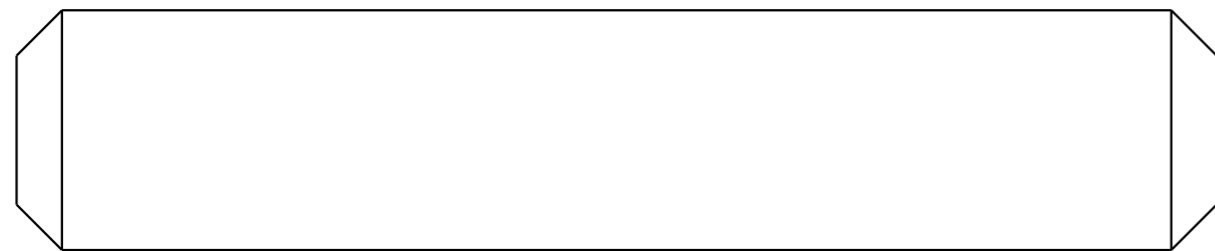
No part of this document may be reproduced or distributed in any form or by any means, or stored in a data base, without the written permission of owner.



No part of this document may be reproduced or distributed in any form or by any means, or stored in a data base, without the written permission of owner.

Revision:	Rev. Description:	Rev. Date:	Rev. By:

Part:	Identification:	Description:	Additional Description:	Mass:	Pcs:
HAMK	University of Applied Sciences		Identificat: Description: Additional Description:	0.008kg	
General tolerances:	Scale: 3:1	Designer: Roman Miah Approved: Product:	D Date: 16.06.23 App Date: Replays:	Treatment: surface finish: Sheet:	1/1

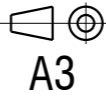


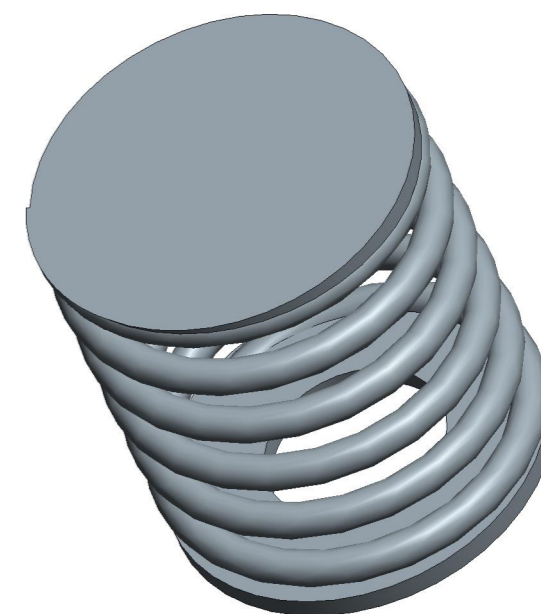
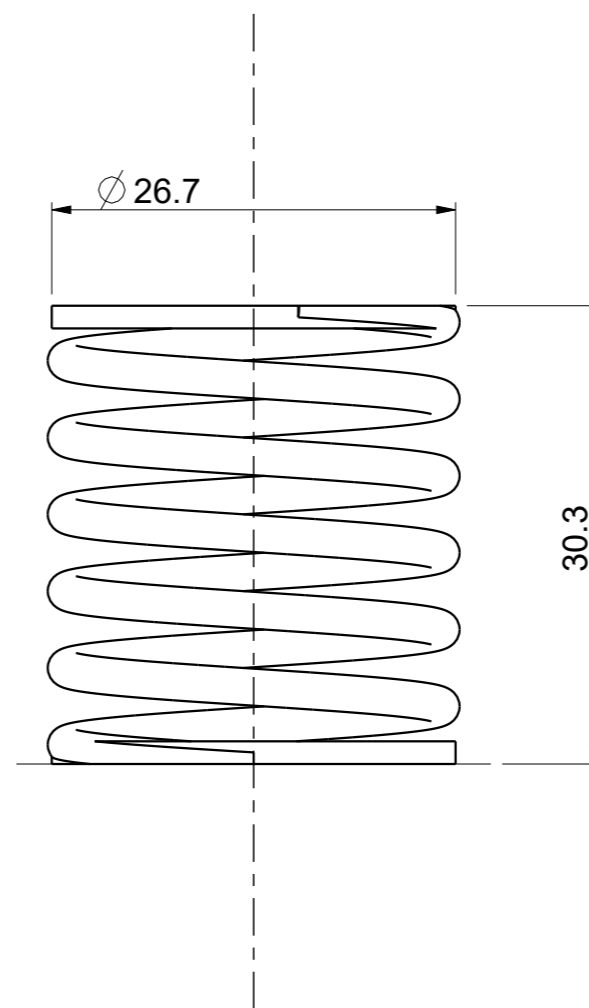
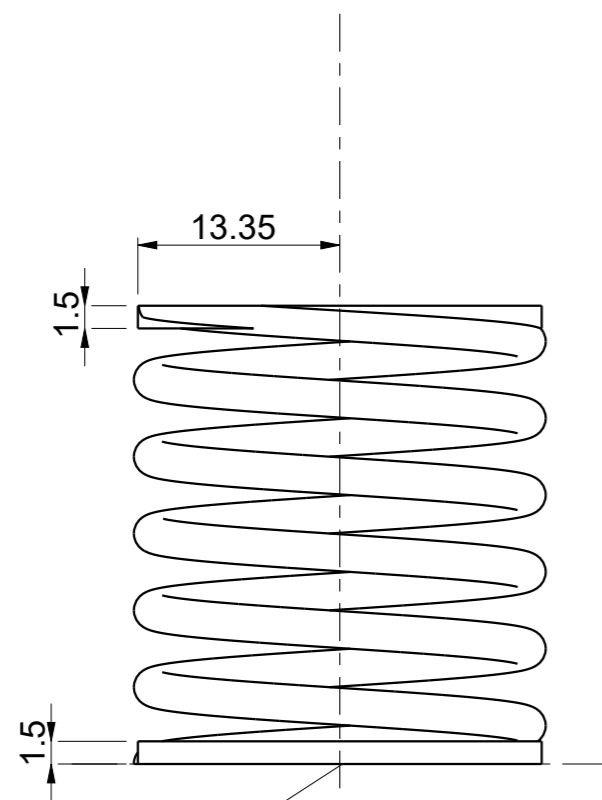
15.87

C0.6*45DEGREE

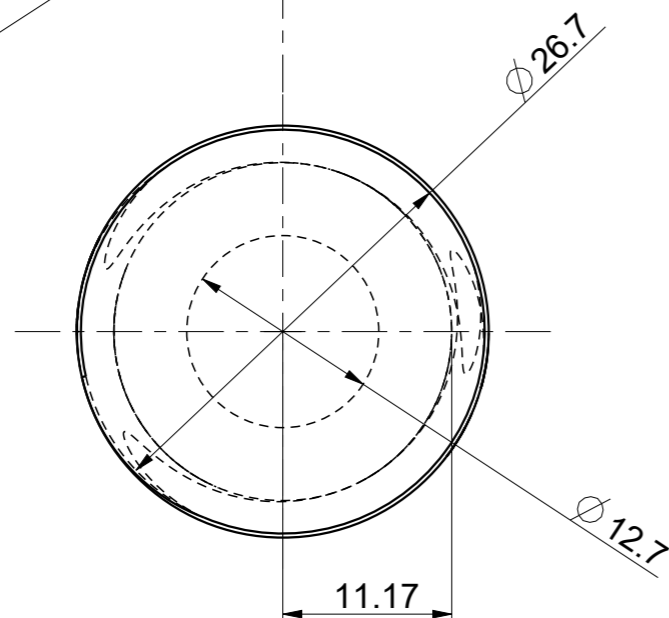
No part of this document may be reproduced or distributed in any form or by any means, or stored in a data base, without the written permission of owner.

Revision:	Rev. Description:	Rev. Date:	Rev. By:

Part:	Identification:	Description:	Additional Description:	Mass:	Pcs:
HAMK	University of Applied Sciences		Identificat: Description: Additional Description:	Mass: 0.001kg Material: Color:	
General tolerances:	Scale: 10:1	Designer: ROMAN MIAH Approved: Product:	D Date: 16.06.2023 App Date: Replays:	Treatment: surface finish: Sheet:	1/1

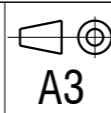


Pitch 5.08



No part of this document may be reproduced or distributed in any form or by any means, or stored in a data base, without the written permission of owner.

Revision:	Rev. Description:	Rev. Date:	Rev. By:

Part:	Identification:	Description:	Additional Description:	Mass:	Pcs:
HAMK	University of Applied Sciences	 A3	Identificat: Description: Additional Description:	Mass: 0.027kg	
General tolerances:	Scale: 2:1	Designer: Roman Miah	D Date: 16.06.23	Treatment: surface finish:	1/1
		Approved:	App Date:	Sheet:	
		Product:	Replays:		

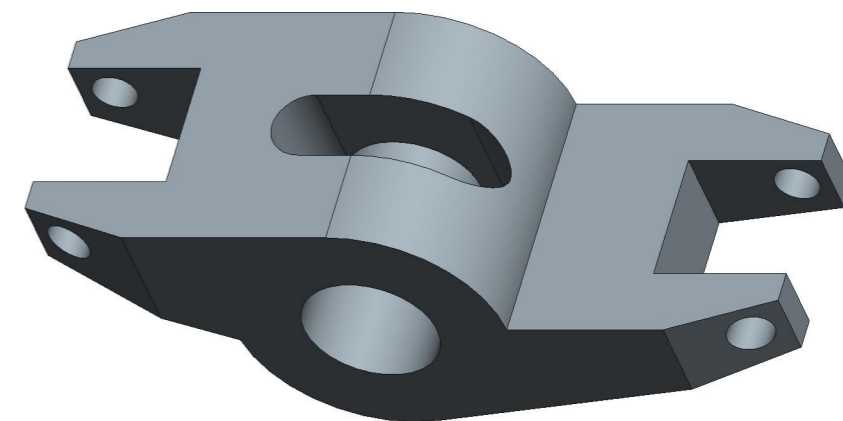
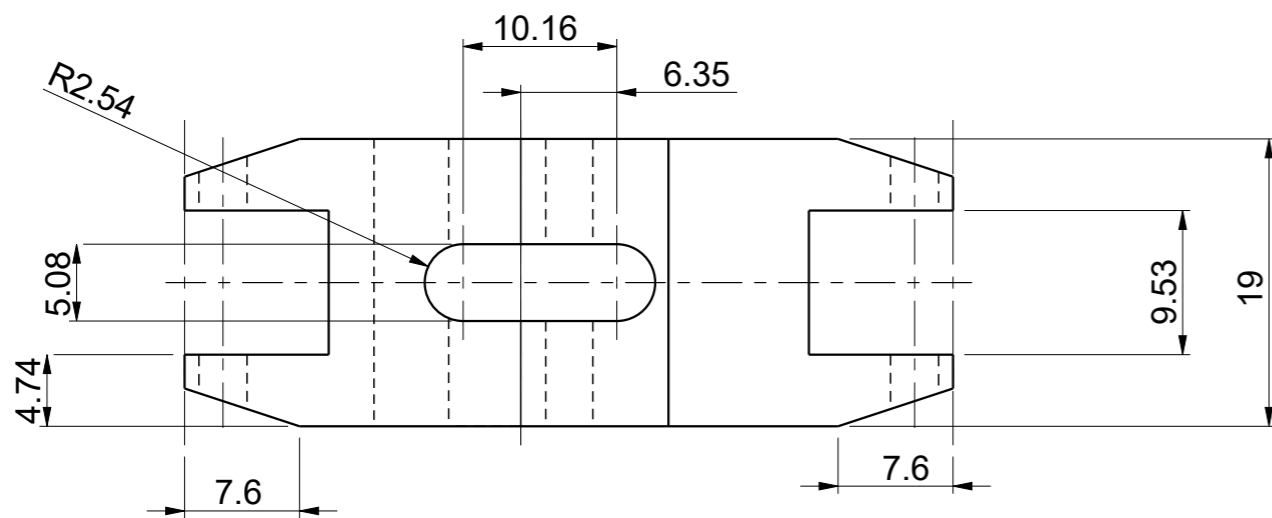
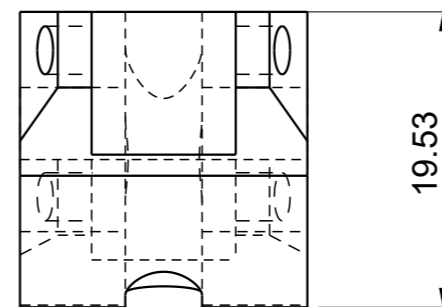
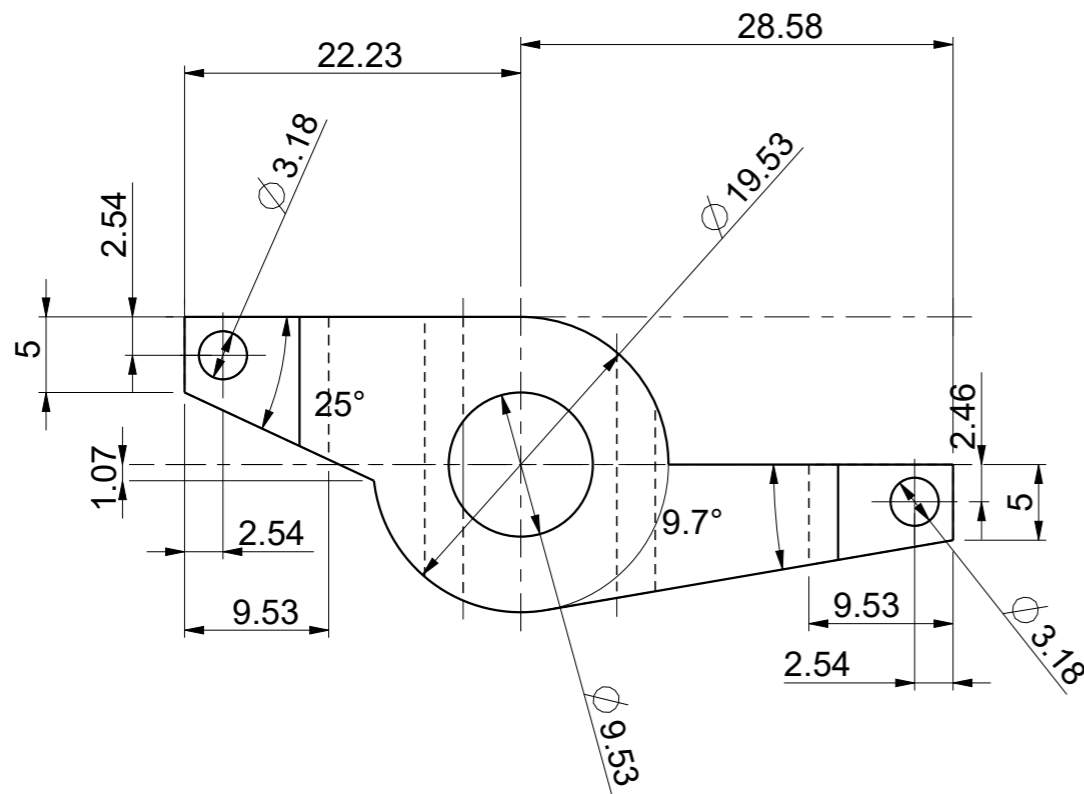
A

B

C

D

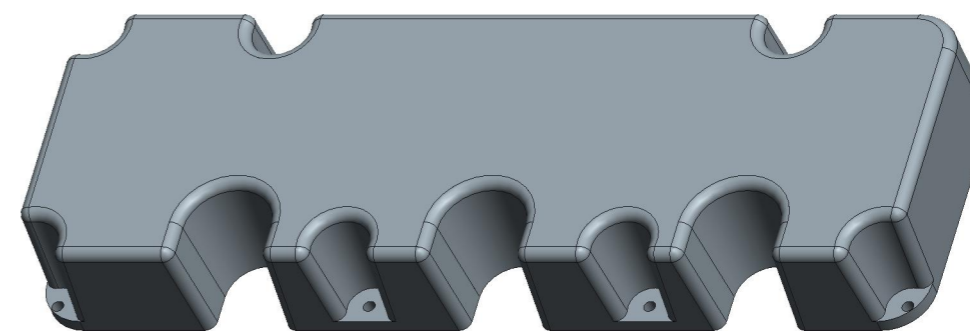
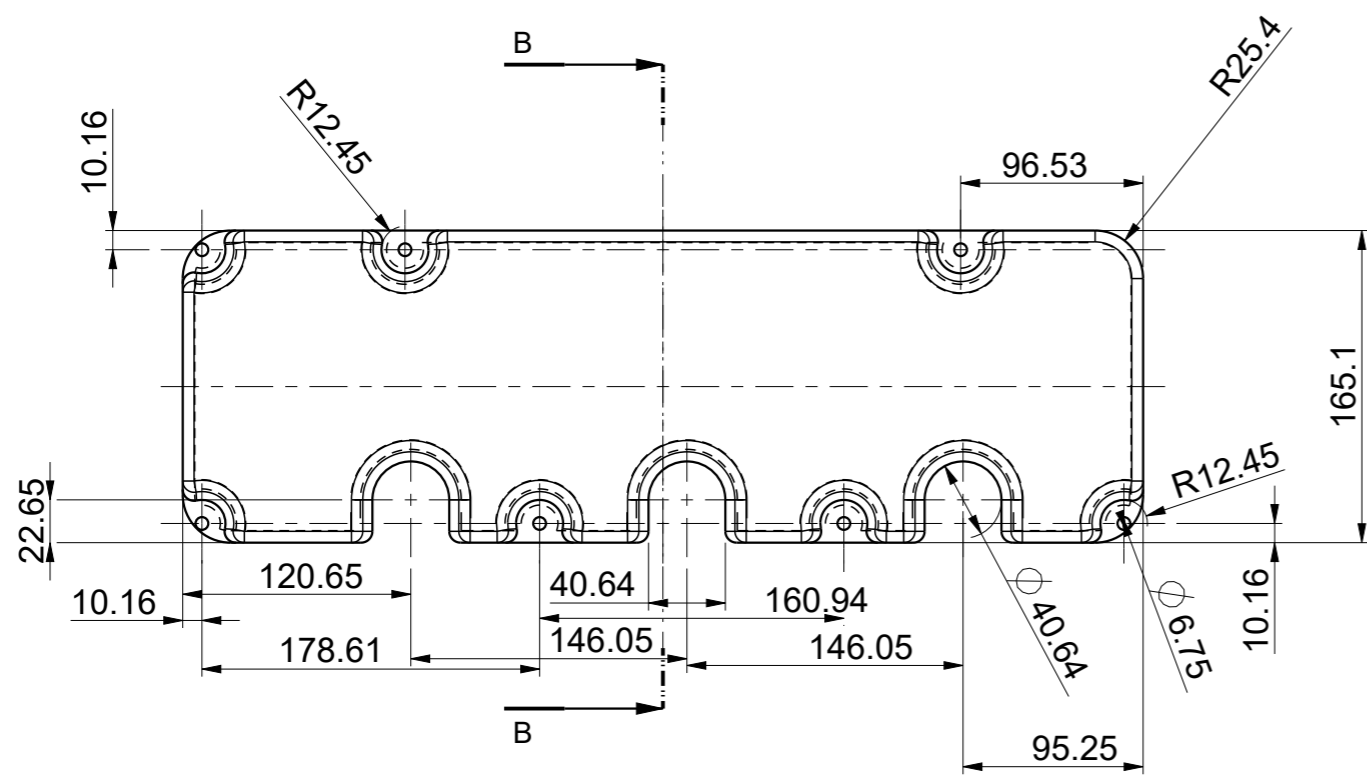
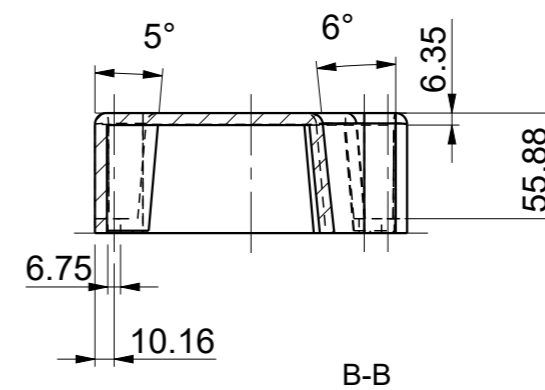
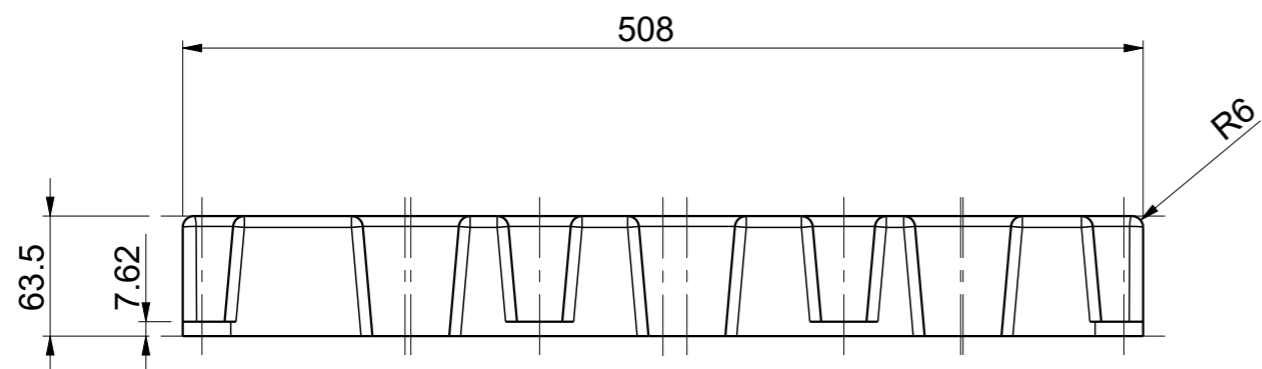
E



No part of this document may be reproduced or distributed in any form or by any means, or stored in a data base, without the written permission of owner.

Revision:	Rev. Description:	Rev. Date:	Rev. By:

Part:	Identification:	Description:	Additional Description:	Mass:	Pcs:
HAMK	University of Applied Sciences	A3	Identificat: Description: Additional Description:	Mass: 0.053kg Material: Color:	
General tolerances:	Scale: 2:1	Designer: Roman Miah Approved: Product:	D Date: 16.06.23 App Date: Replays:	Treatment: surface finish: Sheet: 1/1	



No part of this document may be reproduced or distributed in any form or by any means, or stored in a data base, without the written permission of owner.

Revision:	Rev. Description:	Rev. Date:	Rev. By:

Part:	Identification:	Description:	Additional Description:	Mass:	Pcs:
HAMK	University of Applied Sciences	A3	Identificat: Description: Additional Description:	Mass: 8.203kg	
General tolerances:	Scale: 1:4	Designer: Roman Miah	D Date: 16.06.23	Treatment: surface finish:	1/1
		Approved:	App Date:	Sheet:	
		Product:	Replays:		